

SDECB/M

Centrifugal fans especially designed for extracting hot air at a max. temperature of 80 °C and water vapour from extract hoods with a vertical air outlet

Especially designed for bread and pastry ovens as well as industrial ovens



Fan:

- Sheet steel casing.
- Forward curved impeller in galvanized sheet steel.
- Directly coupled motor with B-5 flange.

Motor:

- Motors with IE3 efficiency for powers equal to or greater than 0.75kW, except single-phase, 2-speed and 8-pole.
- IP55 protection.
- Three-phase 230/400 V 50 Hz (up to 4 kW) and 400/690 V 50 Hz (powers greater than 4 kW).
- Maximum temperature of air to be carried: -25 °C +80 °C.

Finishing:

- Anticorrosive with temperature resistant anticaloric paint, aluminum color.

On request:

- Special windings for different voltages.
- Stainless steel fan.



On request: stainless steel fan

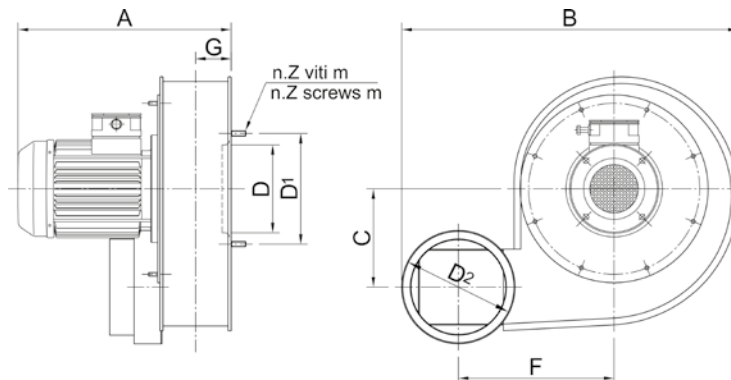
Characteristics

| MOD. | kW | r.p.m | dB/A | CAPACITY (m ³ /s) | | | | | | | | | | | | |
|---------------------|------|-------|------|--------------------------------------|------|------|------|------|-----|------|------|------|------|------|-----|------|
| | | | | 0.017 | 0.03 | 0.06 | 0.07 | 0.08 | 0.1 | 0.12 | 0.13 | 0.16 | 0.17 | 0.18 | 0.2 | 0.23 |
| | | | | TOTAL PRESSURE (mmH ₂ O) | | | | | | | | | | | | |
| SDECB/M-160-2T-0.5 | 0.37 | 2800 | 60 | | | | | 35 | 36 | 37 | 38 | 39 | 40 | 40 | 37 | 35 |
| SDECB/M-160-4T-0.33 | 0.25 | 1350 | 49 | 9 | 9 | 10 | 10 | 9 | 8 | 7 | | | | | | |
| SDECB/M-230-4T-0.33 | 0.25 | 1350 | 58 | | | | | 28 | 29 | 29 | 30 | 31 | 30 | 29 | 28 | 27 |
| SDECB/M-230-6T-0.33 | 0.25 | 890 | 49 | | | | 14 | 15 | 15 | 15 | 16 | 15 | 15 | 14 | 13 | |

| MOD. | kW | r.p.m | dB/A | CAPACITY (m ³ /s) | | | | | | | | | | | | |
|---------------------|------|-------|------|--------------------------------------|-----|------|------|-----|------|------|------|------|------|------|------|--|
| | | | | 0.18 | 0.2 | 0.23 | 0.27 | 0.3 | 0.33 | 0.38 | 0.42 | 0.47 | 0.53 | 0.58 | 0.67 | |
| | | | | TOTAL PRESSURE (mmH ₂ O) | | | | | | | | | | | | |
| SDECB/M-250-4T-0.5 | 0.37 | 1350 | 60 | | | 40 | 42 | 43 | 44 | 45 | 45 | 40 | 35 | | | |
| SDECB/M-300-4T-0.5 | 0.37 | 1350 | 65 | | | | | 47 | 49 | 50 | 50 | 51 | 50 | 48 | 43 | |
| SDECB/M-300-6T-0.33 | 0.25 | 890 | 49 | 20 | 20 | 22 | 23 | 24 | 24 | 23 | 22 | | | | | |

Flow margin ±5%
Noise level margin +3...5 db

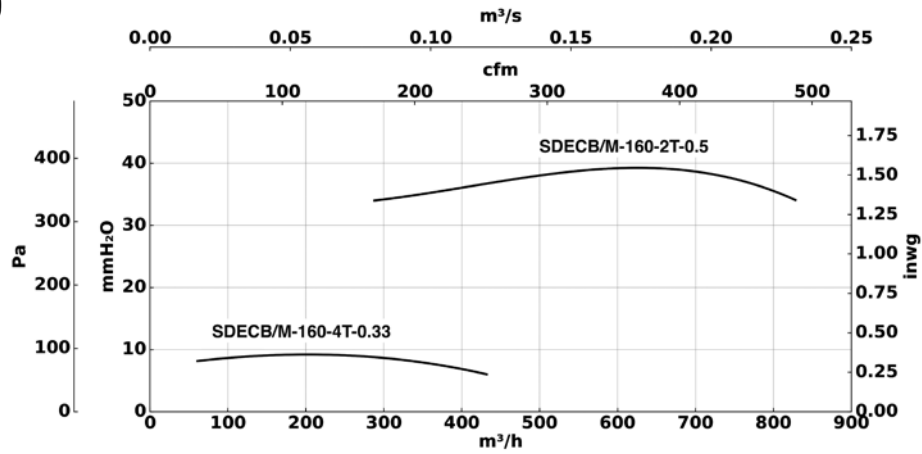
Dimensions mm



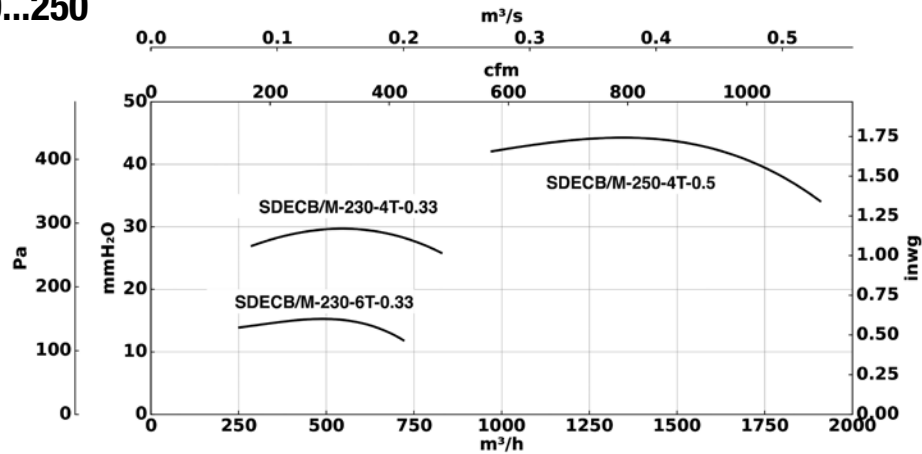
| MOD. | FRAME | kW | r.p.m | A | B | C | F | G | D | D1 | m | n.Z | D2 | Kg |
|---------------------|-------|------|-------|-----|-----|-----|-----|----|-----|-----|----|-----|-----|----|
| SDECB/M-160-2T-0.5 | 71A2 | 0.37 | 2800 | 330 | 400 | 120 | 173 | 59 | 128 | 220 | M5 | 6 | 137 | 10 |
| SDECB/M-160-4T-0.33 | 71A4 | 0.25 | 1350 | 330 | 400 | 120 | 173 | 59 | 128 | 220 | M5 | 6 | 137 | 10 |
| SDECB/M-230 | 71A4 | 0.25 | 1350 | 295 | 500 | 150 | 227 | 53 | 130 | 165 | M8 | 6 | 160 | 15 |
| SDECB/M-250-4T-0.5 | 71B4 | 0.37 | 1350 | 400 | 540 | 170 | 238 | 60 | 145 | 195 | M8 | 6 | 176 | 18 |
| SDECB/M-300-4T-0.5 | 71B4 | 0.37 | 1350 | 435 | 665 | 200 | 285 | 82 | 192 | 250 | M8 | 6 | 250 | 20 |
| SDECB/M-300-6T-0.33 | 71B6 | 0.25 | 890 | 435 | 665 | 200 | 285 | 82 | 192 | 250 | M8 | 6 | 250 | 20 |

Characteristic curves

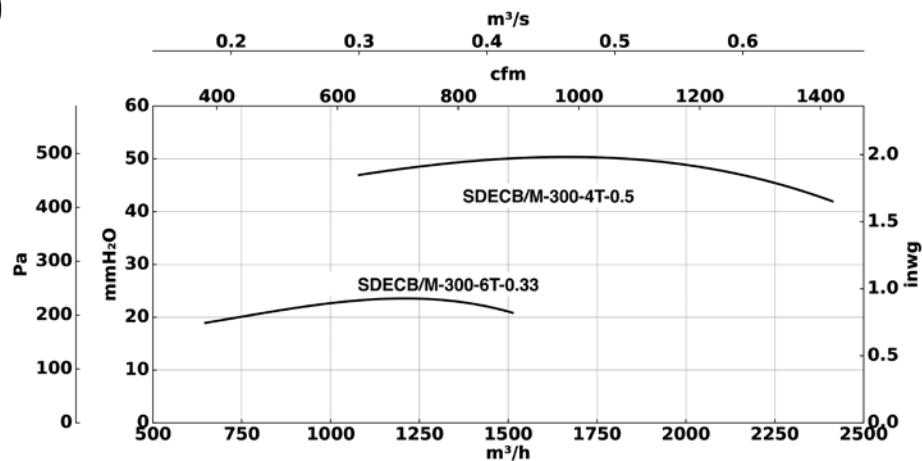
SDECB/M 160



SDECB/M 230...250



SDECB/M 300



Total pressure

Flow margin $\pm 5\%$

Noise level margin $+3...5$ db

Margin of kW absorbed $\pm 3\%$