

CRL/EC

Single inlet medium pressure centrifugal fans, backward curved impeller, IE5 EC Technology direct motor



← EC TECHNOLOGY MOTOR with integrated electronics



← EC CONTROL Supplied as an optional accessory

Medium pressure centrifugal fans and single inlet, with direct motor and backward curved impeller, with EC Technology IE5 motor with integrated electronics, specially designed for high energy efficiency.

Fan:

- Sheet steel casing.
- Backward curved impeller made of sheet steel.
- Maximum temperature of air to be carried: -25 °C +120 °C.

Motor:

- High efficiency EC Technology motors with integrated electronics, regulated by 0-10 V or 4-20 mA.
- IE5 efficiency motors, class F and IP55 protection.
- Single-phase 230 V 50/60 Hz.
- Working temperature: -25 °C +60 °C.

EC CONTROL: Supplied as an optional accessory. Control panel for ventilation

systems with EC Technology motors with the electronics integrated in the motor itself. With the following characteristics:

- CPC: Constant pressure control.
- CFC: Constant flow control.
- DAY / NIGHT: Double pressure setpoint adjustment according to time of day.
- External sensor: compatible with temperature, humidity, air quality or CO sensor.
- Equipment preconfigured in constant pressure mode with 100 Pa set point.

Finish:

- Anti-corrosive finish in polyester resin, polymerised at 190 °C, after degreasing with phosphate-free nanotechnology treatment.

On request:

- Fan prepared to transport air up to +250 °C.
- Stainless steel fan.

Order code

CRL/EC – 925 – 2M – 0.5 – IE5

CRL/EC: Single inlet medium pressure centrifugal fans, backward curved impeller, IE5 EC Technology direct motor

Impeller size

Number of motor poles
T=2900 r/min 50 Hz
M=1400 r/min 50 Hz

T = Three-phase
M = Single-phase

Motor power (HP)

IE5 motor

Technical characteristics

Model	Speed	Maximum admissible current (A) 230V	Max. electric power (kW)	Maximum flow rate (m³/h)	Sound pressure level dB (A)	Approx. weight (Kg)	According ErP*
	(r/min)						
CRL/EC-822-2M-0.33 IE5	2760	2.4	0.25	1350	72	19	2020
CRL/EC-925-2M-0.5 IE5	2830	3.3	0.37	1850	75	22	2020
CRL/EC-1028-2M-0.75 IE5	2780	4.8	0.55	2600	77	29	2020
CRL/EC-1031-2M-1.5 IE5	2830	8.7	1.10	3600	82	41	2020
CRL/EC-1240-4M-1 IE5	1420	5.8	0.75	3630	74	66	2020
CRL/EC-1445-4M-1.5 IE5	1455	8.9	1.10	6170	78	83	2020

* In accordance with the ErP 2020 draft



Erp. (Energy Related Products)

Information on Directive 2009/125/EC can be downloaded from the SODECA website or the QuickFan selector programme.

Acoustic characteristics

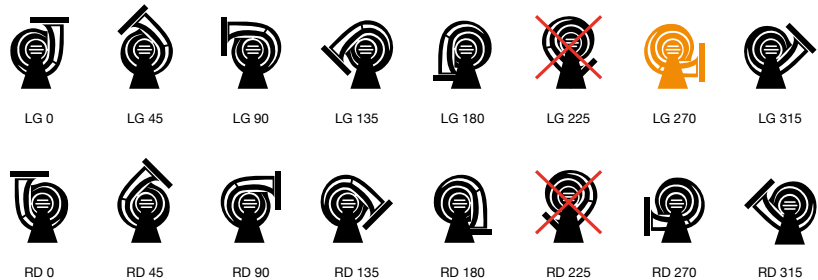
The indicated values are determined by measuring the sound pressure level and sound power in dB(A) obtained in a free field at a distance equivalent to twice the size of the fan plus the impeller diameter, with a minimum of 1.5 m.

Sound power spectrum Lw(A) in dB(A) per Hz frequency band

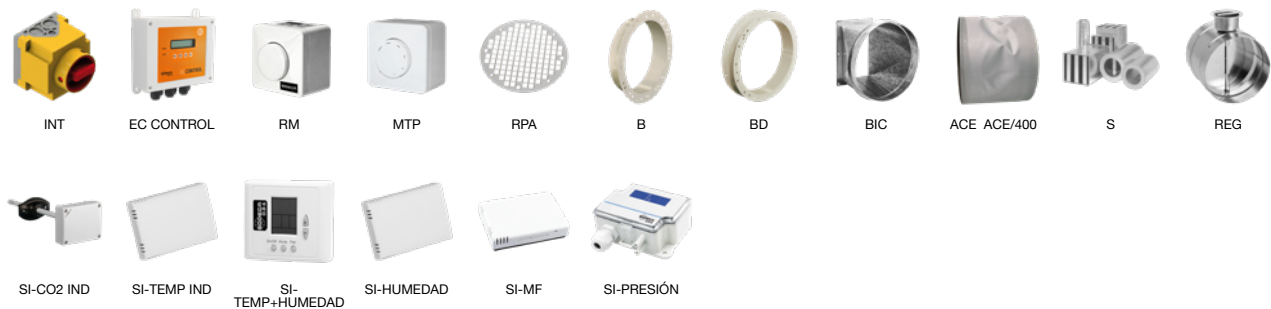
	63	125	250	500	1000	2000	4000	8000
CRL/EC-822-2M-0.33	54	67	67	80	75	75	75	68
CRL/EC-925-2M-0.5	58	71	71	84	79	79	79	72
CRL/EC-1028-2M-0.75	59	72	72	85	80	80	80	79
CRL/EC-1031-2M-1.5	65	78	78	91	86	86	86	79
CRL/EC-1240-4M-1	57	71	77	80	80	81	71	60
CRL/EC-1445-4M-1.5	60	73	79	84	81	84	79	69

Orientations

Standard supply LG 270
Positions LG 180 and RD 180 on request with special anchoring measurements.
Models 822, 925, 1028 and 1031 do not admit positions LG 135 or RD 135.

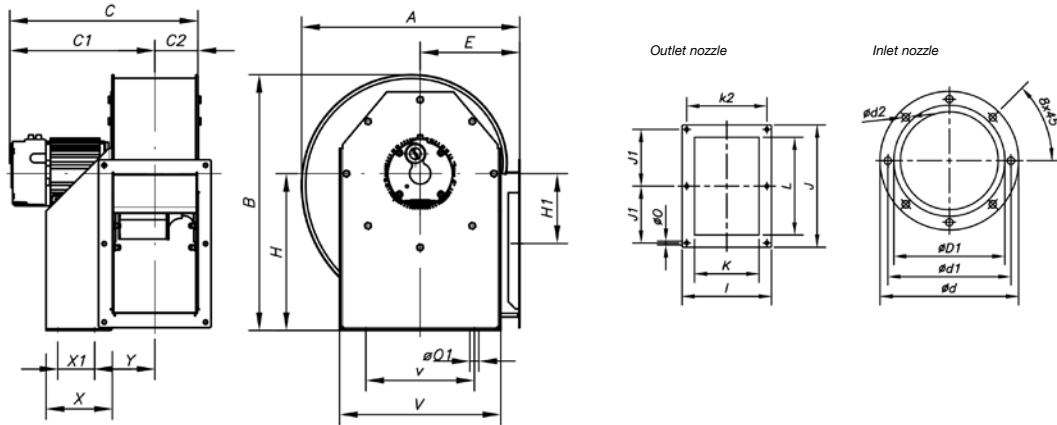


Accessories



Dimensions mm

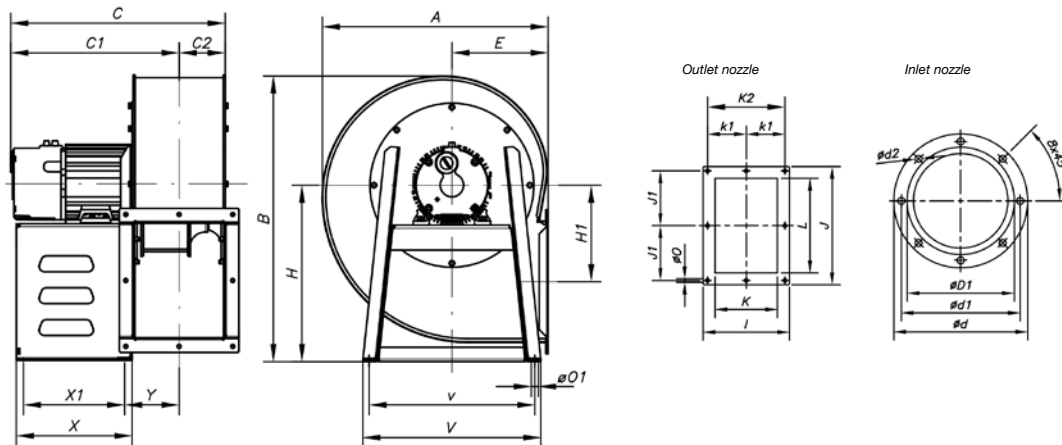
CRL/EC-822 ... 1028



	A	B	C	C1	C2	ØD1*	Ød	Ød1	Ød2	E	H	H1	I	J	J1	K	K2	L	ØO	ØO1	V	v	X	X1	Y
CRL/EC-822-2M	388	455	353	280	73	224	278	256	M8	180	280	134	204	282.5	128	140	180	215	9.5	10.5	290	220	114	50	105
CRL/EC-925-2M	427	500	380	295	85	250	305	282	M8	197	310	145	229	312.5	145	165	205	250	9.5	12.5	315	228	134	74	115
CRL/EC-1028-2M	472	550	411	317.5	93.5	280	348	320	M8	215	340	152	244	364	170	180	220	296.5	9.5	12.5	350	245	144	95	120

* Recommended nominal tube diameter

CRL/EC-1031 ... 1445



	A	B	C	C1	C2	ØD1*	Ød	Ød1	Ød2	E	H	H1	I	J	J1	K	K1	L	ØO	ØO1	V	v	X	X1	Y	K2
CRL/EC-1031-2M	526	630	456	352.5	103.5	315	382	354	M8	238	390	180	264	382.5	180	200	--	320	11.5	12	430	400	200	155	130	240
CRL/EC-1240-4M	635	800	528	398.5	129.5	400	464	438	M8	270	495	270	336	404	185	250	150	321	11.5	12	500	460	250	200	157	-
CRL/EC-1445-4M	710	900	566	419.5	146.5	450	515	485	M8	300	560	305	370	444	202	284	164	361	11.5	12	575	550	275	215	180	-

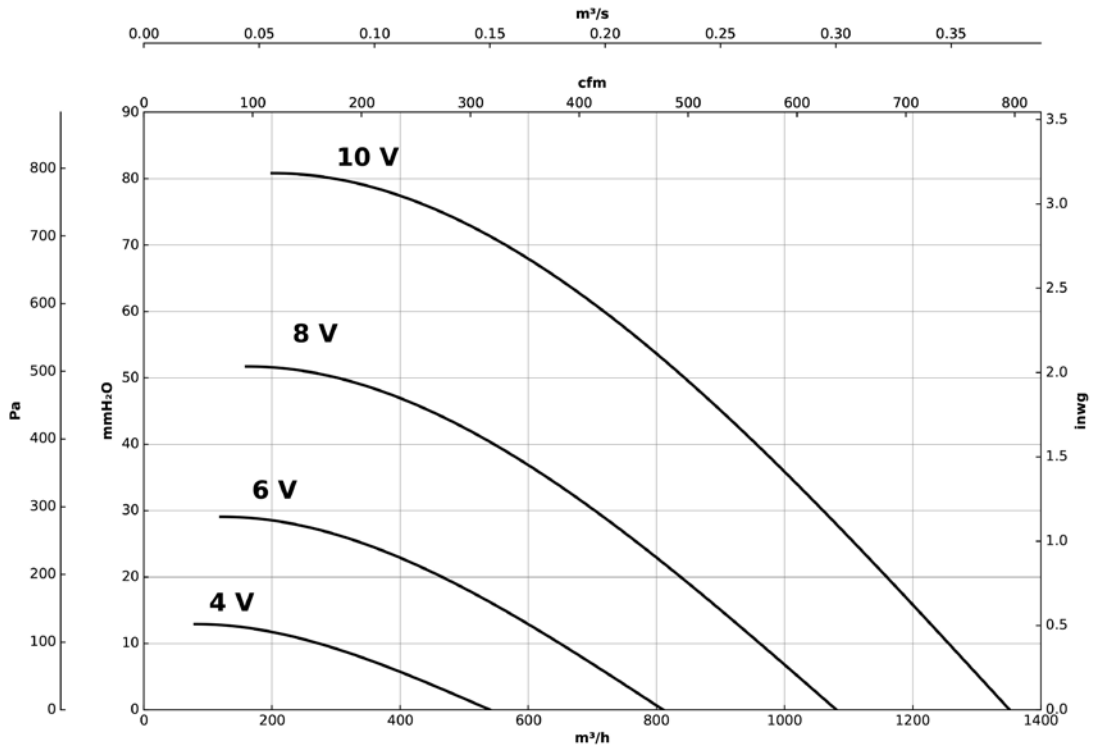
* Recommended nominal tube diameter

Characteristic curves

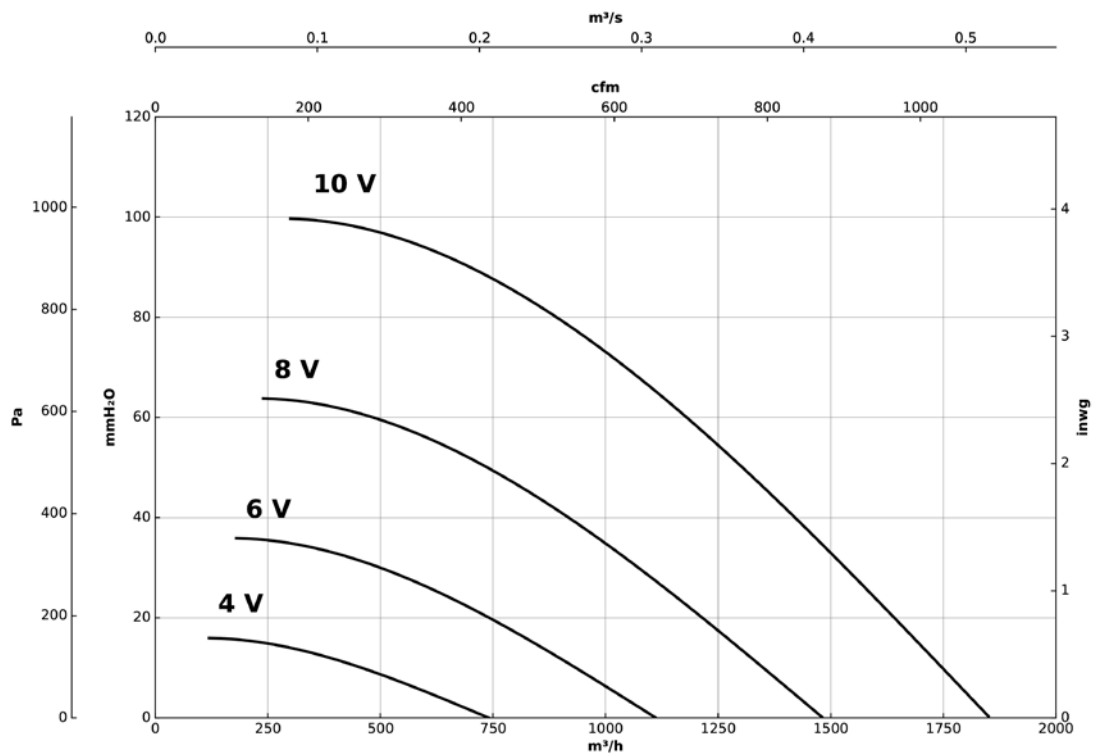
Q= Flow rate in m³/h, m³/s and cfm

Pe= Static pressure in mm H₂O, Pa and inwg

CRL/EC-822-2M-0.33



CRL/EC-925-2M-0.5

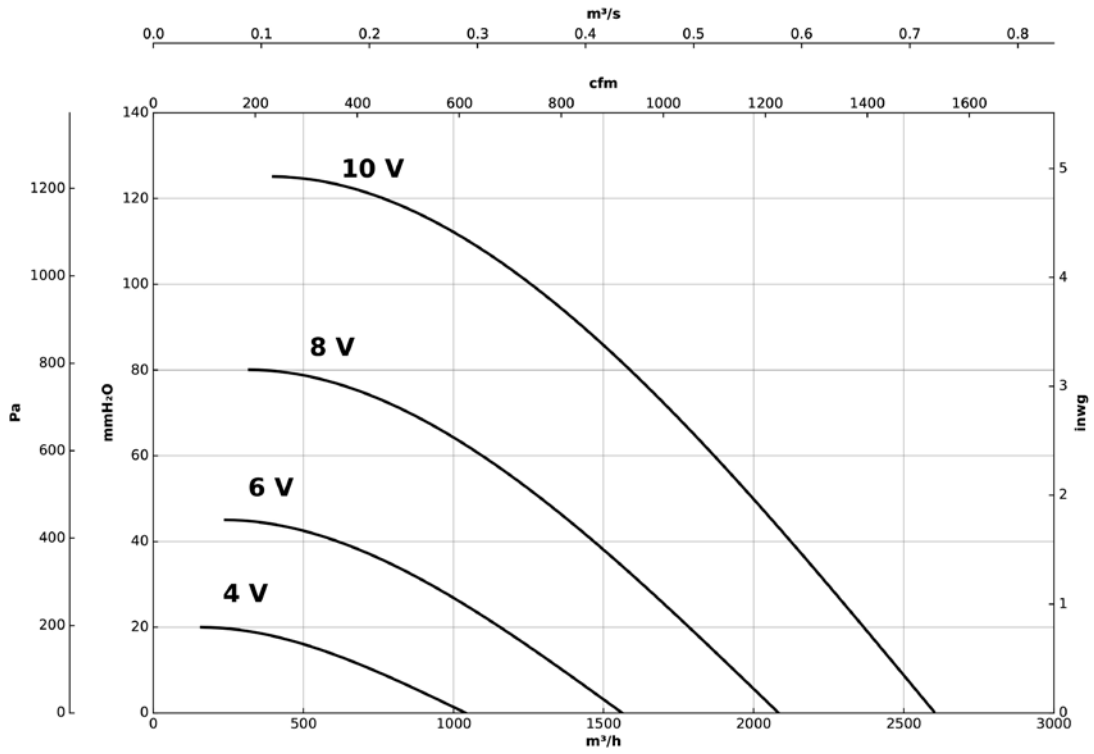


Characteristic curves

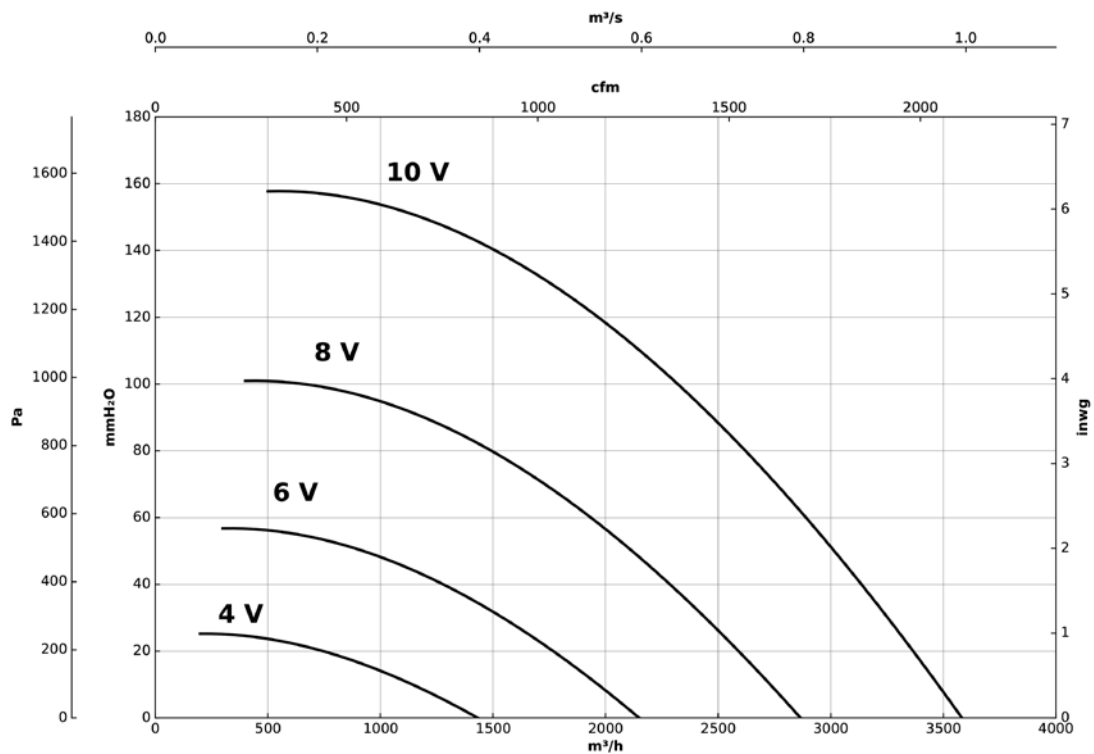
Q= Flow rate in m³/h, m³/s and cfm

Pe= Static pressure in mm H₂O, Pa and inwg

CRL/EC-1028-2M-0.75



CRL/EC-1031-2M-1.5

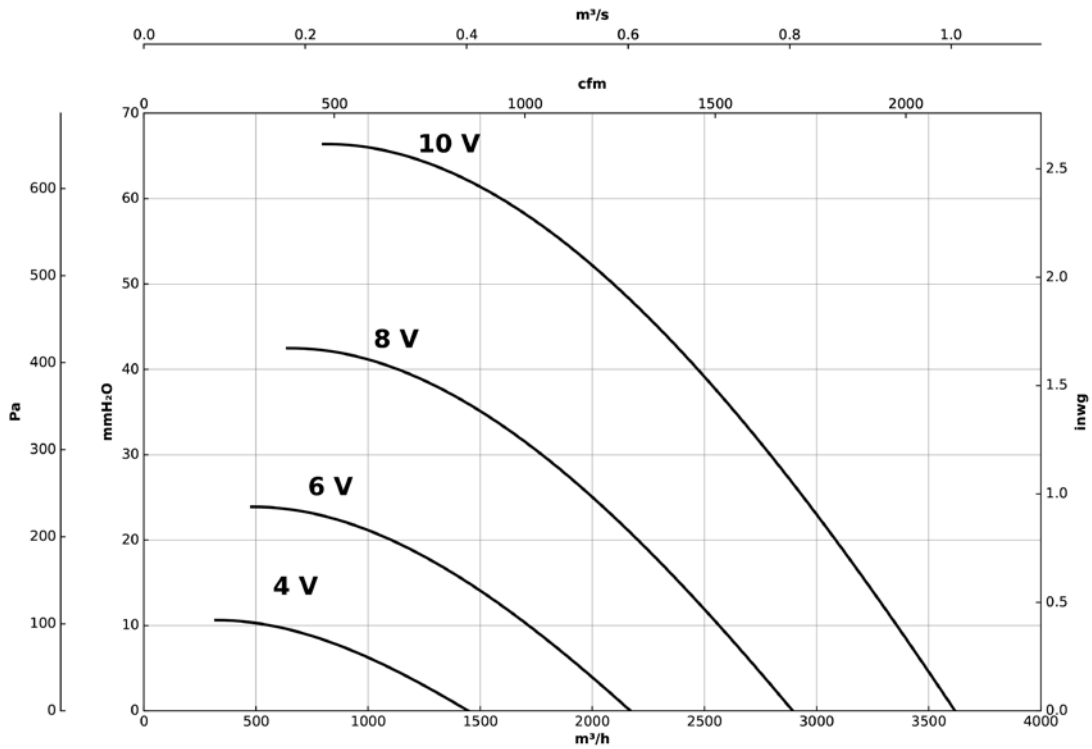


Characteristic curves

Q= Flow rate in m³/h, m³/s and cfm

Pe= Static pressure in mm H₂O, Pa and inwg

CRL/EC-1240-4M-1



CRL/EC-1445-4M-1.5

