

CMPE



Single inlet medium pressure centrifugal fans with external rotor motor

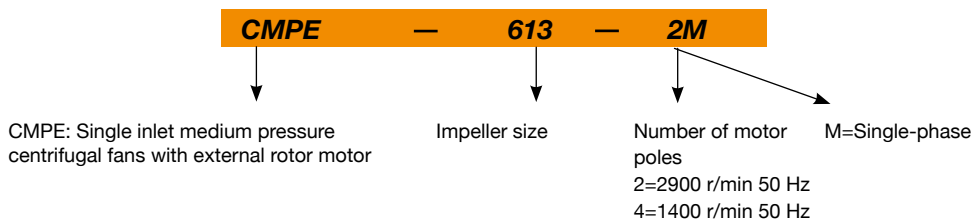


- Fan:
- Sheet steel casing.
 - Forward curved impeller.
 - External terminal box with cable entry with cable glands.

- Finishing:
- Anti-corrosive finish in polyester resin, polymerised at 190 °C, after degreasing with phosphate-free nanotechnology treatment.

- Motor:
- Class F motors with outer rotor, with ball bearings.
 - Single-phase 230V 50/60 Hz.
 - Maximum temperature of air to be carried: -20 °C +60 °C.

Order code



Technical characteristics

Model	Speed	Maximum admissible current (A)	Max. electric power	Maximum flow rate	Sound pressure level	Approx. weight	According ErP
	(r/min)	230V	(kW)	m3/h	dB (A)	(Kg)	
CMPE-613-2M	1800	0.45	0.105	295	59	2.6	Excluded
CMPE-614-2M	2230	0.75	0.177	510	65	3.0	Excluded
CMPE-716-4M	1430	0.32	0.060	440	59	3.6	Excluded
CMPE-918-4M	1360	0.75	0.155	960	67	5.5	Excluded

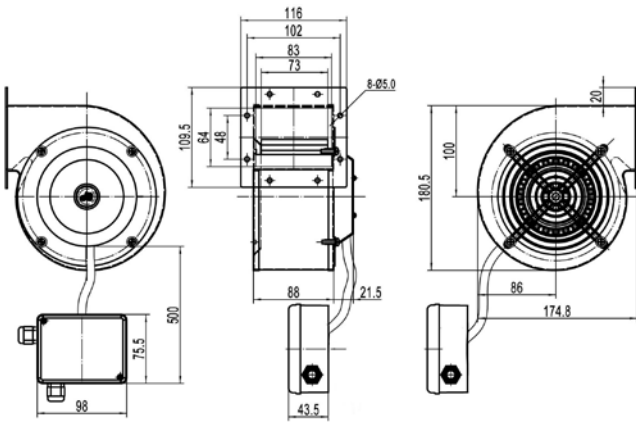


Erp. (Energy Related Products)

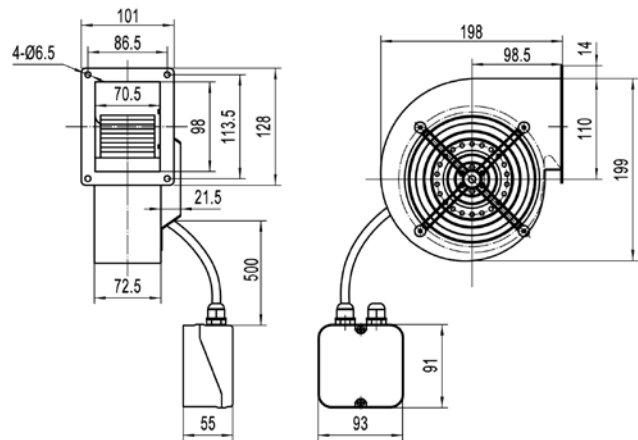
Information on Directive 2009/125/EC can be downloaded from the SODECA website or the QuickFan selector programme.

Dimensions mm

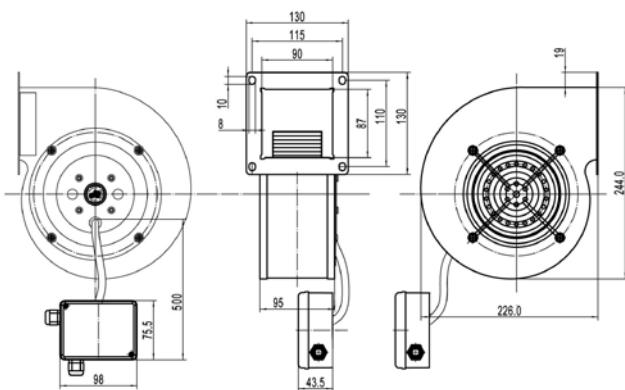
CMPE-613-2M



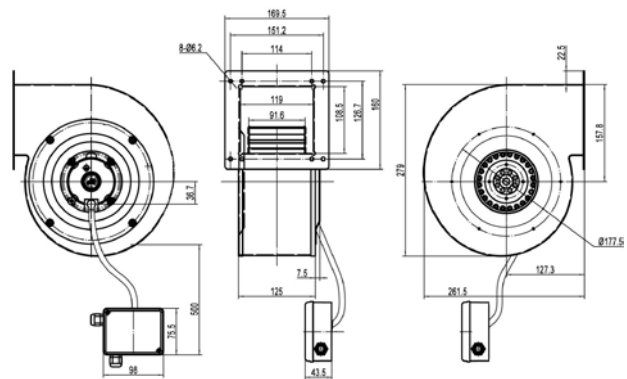
CMPE-614-2M



CMPE-716-4M



CMPE-918-4M



Characteristic curves

Q= Flow rate in m³/h, m³/s and cfm

Pe= Static pressure in mm H₂O, Pa and inwg

