

CJSXR



Belt driven ventilation units with backward curved impeller, acoustic insulation, galvanised sheet steel finish



Fan:

- Galvanised steel sheet casing.
- Backward curved impeller made of painted sheet steel.
- Glands for cable entry.
- Maximum temperature of air to be carried: -25 °C +85 °C.

Finish:

- Galvanised sheet steel with thermal and acoustic insulation.

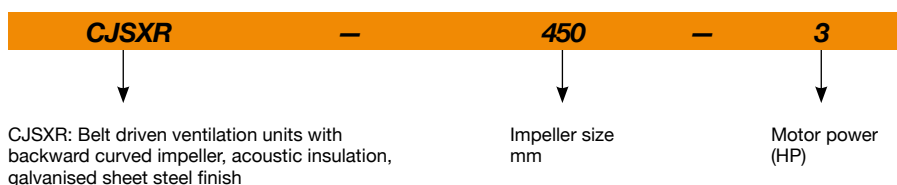
On request:

- Different outlet positions.
- Circular outlet.
- ATEX certification.

Motor:

- Motors with IE3 efficiency for powers equal to or greater than 0.75 kW, except single-phase, 2-speed and 8-pole.
- Class F motors with ball bearings and IP55 protection.
- Three-phase 230/400 V 50 Hz (up to 4 kW) and 400/690 V 50 Hz (powers greater than 4 kW).
- Working temperature: -25 °C +50 °C.

Order code



Technical characteristics

Model	Speed (r/min)	Maximum admissible current (A)			Installed power (kW)	Maximum flow rate (m³/h)	Sound pressure level ¹ dB (A) Irradiated	Air temperature (°C)		Approx. weight (Kg)
		230V	400V	690V				min.	max.	
CJSXR-315-1 IE3	2100	2.82	1.62		0.75	3435	75	-25	+85	110
CJSXR-315-1.5 IE3	2385	4.03	2.34		1.10	3905	78	-25	+85	115
CJSXR-315-2 IE3	2650	5.34	3.07		1.50	4335	80	-25	+85	147
CJSXR-315-3 IE3	2975	7.32	4.21		2.20	4870	83	-25	+85	158
CJSXR-355-0.75	1580	2.17	1.25		0.55	3685	76	-25	+85	126
CJSXR-355-1 IE3	1765	2.82	1.62		0.75	4120	78	-25	+85	126
CJSXR-355-1.5 IE3	2010	4.07	2.34		1.10	4690	81	-25	+85	131
CJSXR-355-2 IE3	2225	5.34	3.07		1.50	5190	83	-25	+85	132
CJSXR-355-3 IE3	2465	7.32	4.21		2.20	5750	86	-25	+85	178
CJSXR-355-4 IE3	2615	10.00	5.77		3.00	6100	87	-25	+85	181
CJSXR-400-1 IE3	1465	2.82	1.62		0.75	4855	78	-25	+85	154
CJSXR-400-1.5 IE3	1665	4.07	2.34		1.10	5515	81	-25	+85	156
CJSXR-400-2 IE3	1845	5.41	3.11		1.50	6110	83	-25	+85	163
CJSXR-400-3 IE3	2045	7.93	4.56		2.20	6775	85	-25	+85	201

Technical characteristics

Model	Speed (r/min)	Maximum admissible current (A)			Installed power (kW)	Maximum flow rate (m³/h)	Sound pressure level' dB (A) Irradiated	Air temperature (°C)		Approx. weight (Kg)
		230V	400V	690V				min.	max.	
CJSXR-400-4 IE3	2275	10.00	5.77		3.00	7535	88	-25	+85	207
CJSXR-450-1 IE3	1220	2.82	1.62		0.75	5620	77	-25	+85	182
CJSXR-450-1.5 IE3	1390	4.07	2.34		1.10	6405	80	-25	+85	185
CJSXR-450-2 IE3	1540	5.41	3.11		1.50	7095	82	-25	+85	192
CJSXR-450-3 IE3	1750	7.93	4.56		2.20	8060	85	-25	+85	200
CJSXR-450-4 IE3	1980	10.70	6.15		3.00	9120	87	-25	+85	198
CJSXR-450-5.5 IE3	2095	13.90	8.00		4.00	9650	89	-25	+85	246
CJSXR-500-1.5 IE3	1140	4.07	2.34		1.10	7330	79	-25	+85	224
CJSXR-500-2 IE3	1270	5.41	3.11		1.50	8165	81	-25	+85	230
CJSXR-500-3 IE3	1445	7.93	4.56		2.20	9290	84	-25	+85	239
CJSXR-500-4 IE3	1635	10.70	6.15		3.00	10510	87	-25	+85	241
CJSXR-500-5.5 IE3	1800	13.90	8.00		4.00	11570	88	-25	+85	250
CJSXR-500-7.5 IE3	2000		10.30	5.97	5.50	12855	91	-25	+85	268
CJSXR-500-10 IE3	2100		13.90	8.06	7.50	13500	92	-25	+85	314
CJSXR-560-1 IE3	835	2.82	1.62		0.75	8210	75	-25	+85	291
CJSXR-560-1.5 IE3	950	4.07	2.34		1.10	9340	78	-25	+85	307
CJSXR-560-2 IE3	1055	5.41	3.11		1.50	10375	80	-25	+85	296
CJSXR-560-3 IE3	1200	7.93	4.56		2.20	11800	83	-25	+85	298
CJSXR-560-4 IE3	1340	10.70	6.15		3.00	13175	85	-25	+85	301
CJSXR-560-5.5 IE3	1475	13.90	8.00		4.00	14505	88	-25	+85	310
CJSXR-560-7.5 IE3	1645		10.30	5.97	5.50	16175	90	-25	+85	328
CJSXR-560-10 IE3	1820		13.90	8.06	7.50	17895	92	-25	+85	331
CJSXR-560-15 IE3	1875		20.90	12.10	11.00	18440	93	-25	+85	416
CJSXR-630-1.5 IE3	775	4.07	2.34		1.10	9300	73	-25	+85	323
CJSXR-630-2 IE3	860	5.41	3.11		1.50	10320	75	-25	+85	377
CJSXR-630-3 IE3	1010	7.93	4.56		2.20	12120	79	-25	+85	338
CJSXR-630-4 IE3	1140	10.70	6.15		3.00	13680	81	-25	+85	340
CJSXR-630-5.5 IE3	1255	13.90	8.00		4.00	15060	83	-25	+85	349
CJSXR-630-7.5 IE3	1395		10.30	5.97	5.50	16740	86	-25	+85	367
CJSXR-630-10 IE3	1550		13.90	8.06	7.50	18600	88	-25	+85	370
CJSXR-630-15 IE3	1600		20.90	12.10	11.00	19200	89	-25	+85	439
CJSXR-710-1.5 IE3	635	4.07	2.34		1.10	11290	73	-25	+85	425
CJSXR-710-2 IE3	705	5.41	3.11		1.50	12535	75	-25	+85	451
CJSXR-710-3 IE3	800	7.93	4.56		2.20	14220	78	-25	+85	458
CJSXR-710-4 IE3	960	10.70	6.15		3.00	17065	82	-25	+85	411
CJSXR-710-5.5 IE3	1060	13.90	8.00		4.00	18845	84	-25	+85	420
CJSXR-710-7.5 IE3	1180		10.30	5.97	5.50	20980	86	-25	+85	438
CJSXR-710-10 IE3	1305		13.90	8.06	7.50	23200	89	-25	+85	440
CJSXR-710-15 IE3	1355		20.90	12.10	11.00	24090	89	-25	+85	540

1. The noise level values are pressures in dB(A) measured at a distance of 3 metres in a free field.

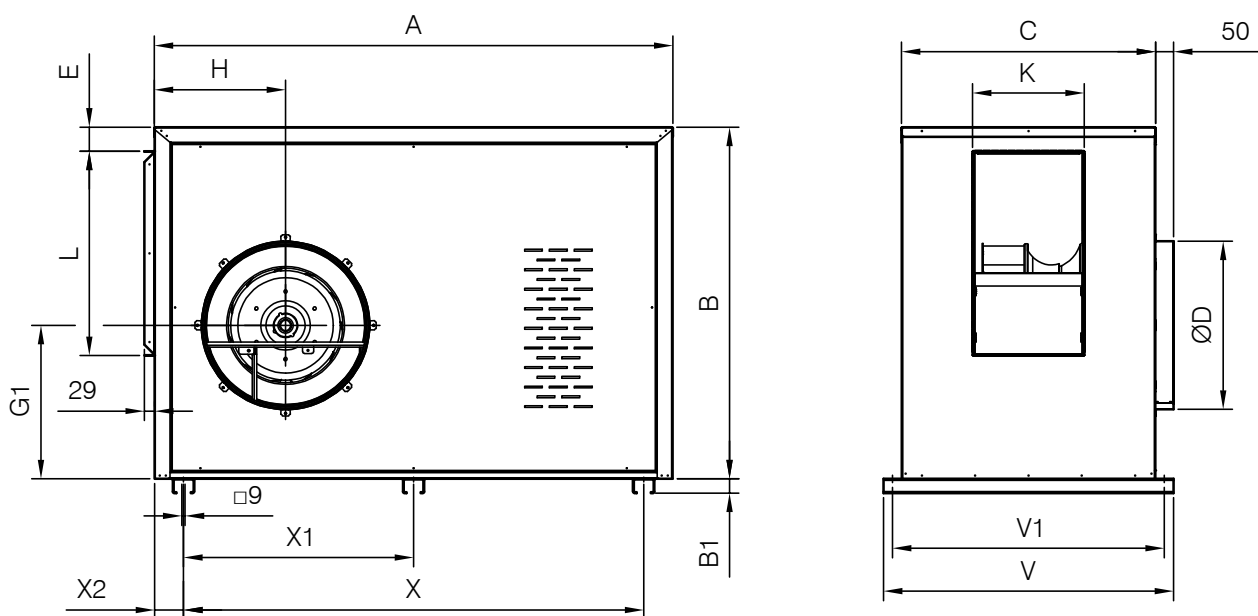


Erp. (Energy Related Products)

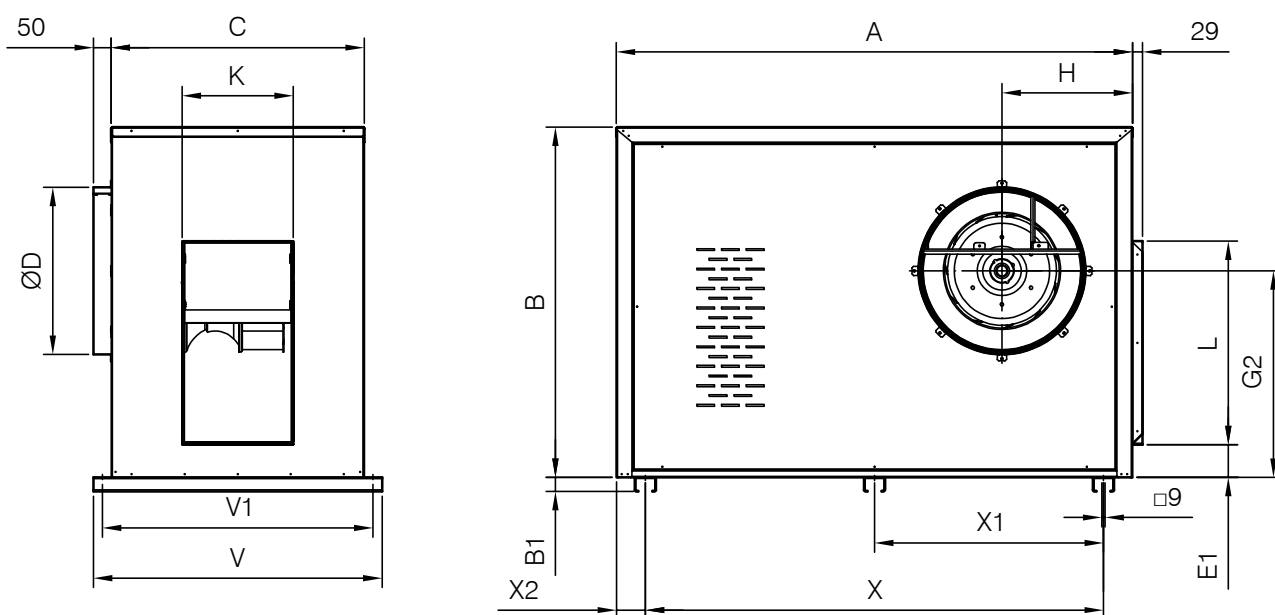
Information on Directive 2009/125/EC can be downloaded from the SODECA website or the QuickFan selector programme.

Dimensions mm

Standard supply horizontal impulsion (H) RD 90

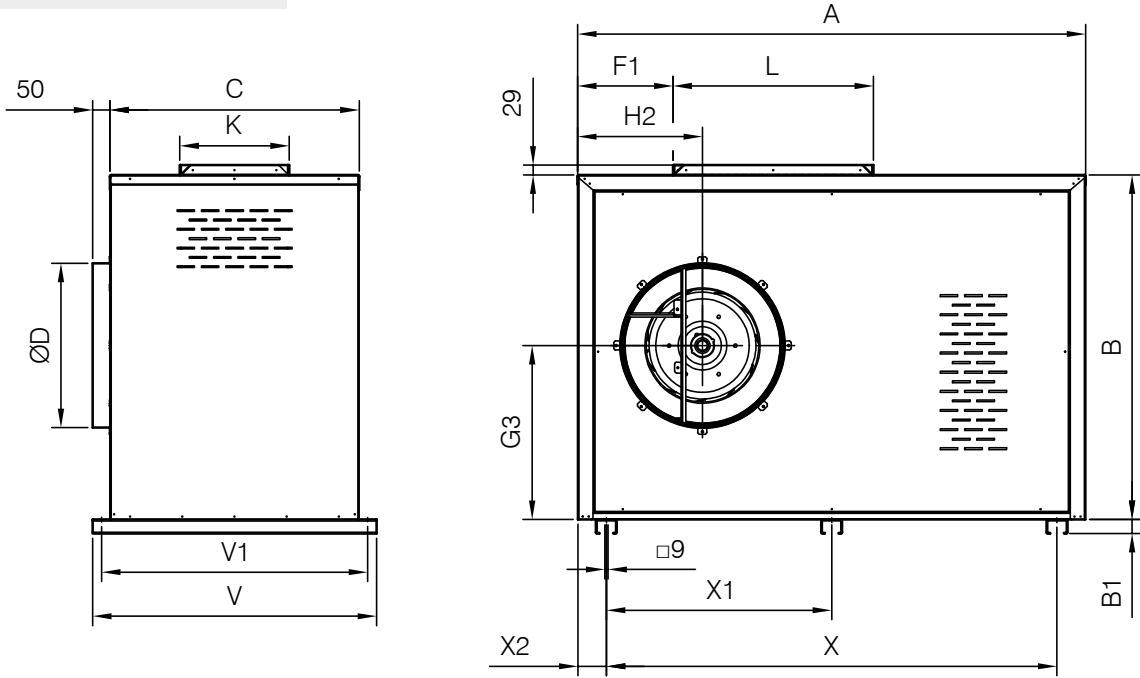


Horizontal impulsion on request (H) LG 90

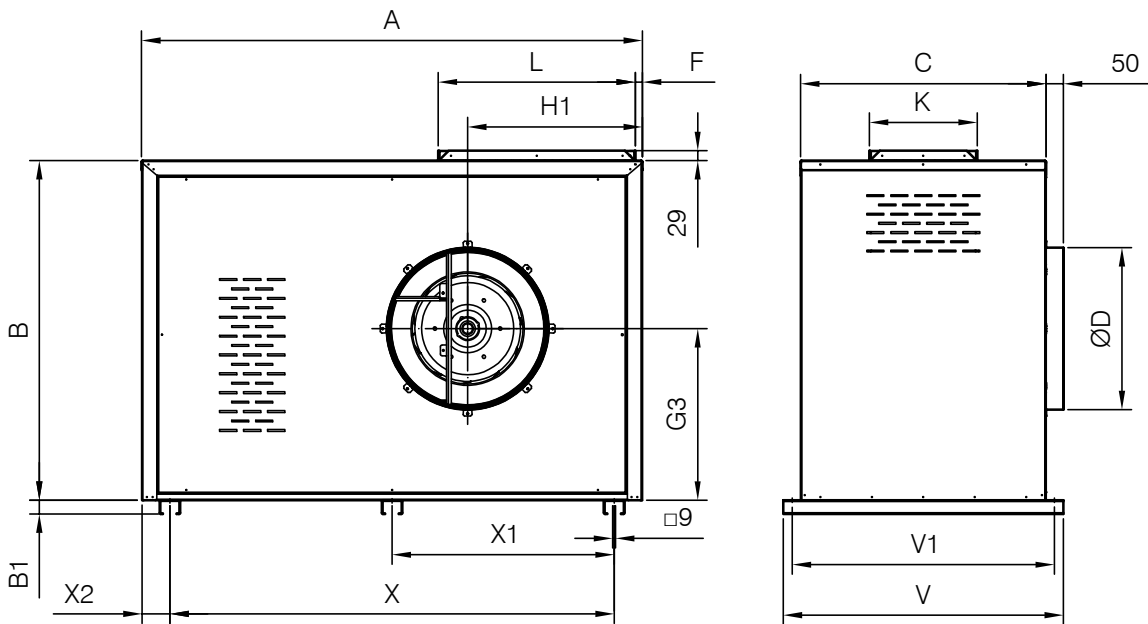


Dimensions mm

Vertical impulsion on request
(V) RD 0



Vertical impulsion on request
(V) LG 0



Dimensions mm

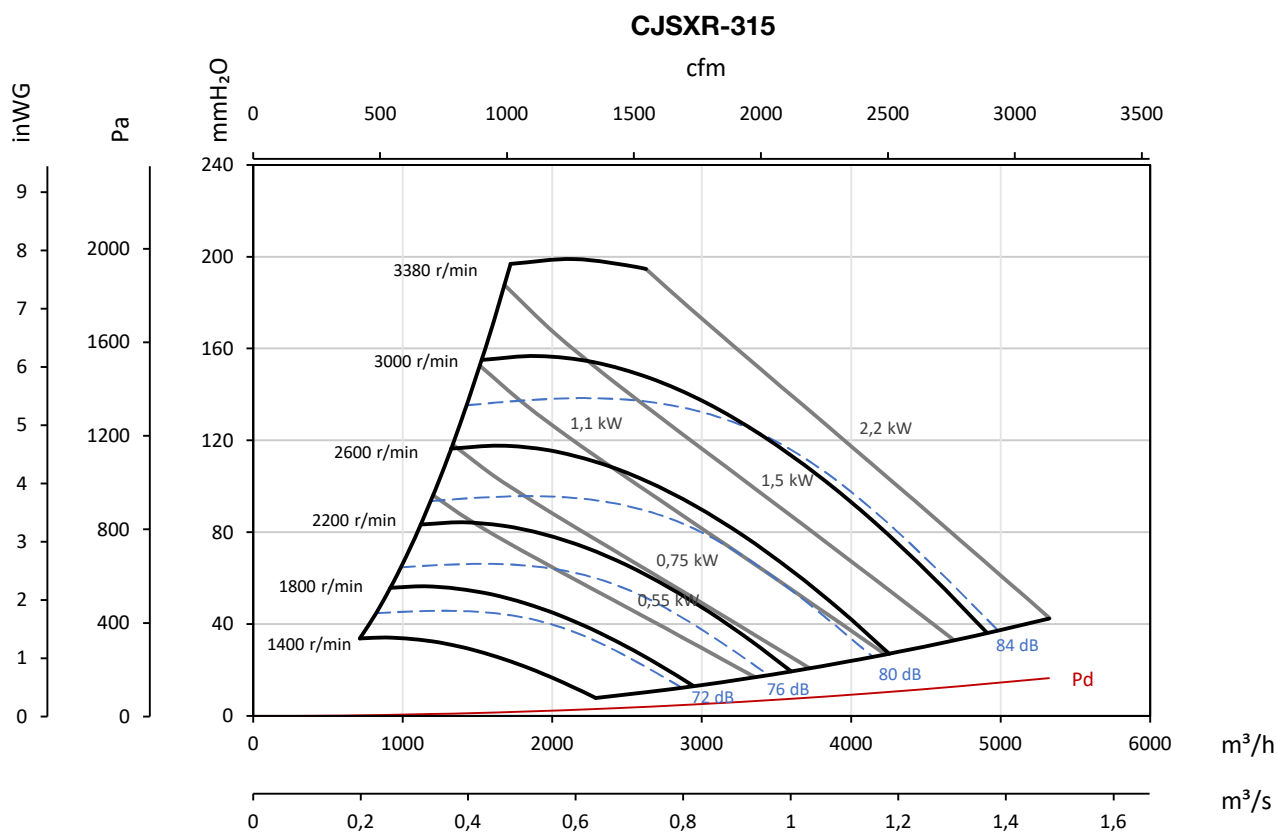
	A	B	B1	C	ØD	E	E1	F	F1	G1	G2	G3
CJSXR-315	1000	720	40	600	327	64	75	67	238	311	419	358
CJSXR-355	1200	800	40	650	370	67	77	65	264	346	464	397
CJSXR-400	1400	900	40	680	420	68	93	55	281	396	529	457
CJSXR-450	1460	990	40	716	470	68	92	20	274	432	583	500
CJSXR-500	1660	1080	40	760	519	66	96	26	301	471	639	544
CJSXR-560	1660	1190	40	810	588	65	93	24	339	516	701	599
CJSXR-630	1800	1322	40	850	652	70	93	27	456	568	777	661
CJSXR-710	2150	1484	40	910	722	60	112	107	513	654	881	761

	H	H1	H2	K	L	V	V1	X	X1	X2
CJSXR-315	315	411	303	229	410	700	670	682	341	159
CJSXR-355	353	454	335	253	459	750	720	920	460	140
CJSXR-400	371	491	359	280	513	780	750	1175	588	113
CJSXR-450	370	510	359	314	575	816	786	1295	648	83
CJSXR-500	412	568	401	350	644	860	830	1475	738	93
CJSXR-560	462	632	450	389	721	910	880	1475	738	93
CJSXR-630	490	709	578	438	807	950	920	1615	808	93
CJSXR-710	525	875	649	484	905	1010	980	1274	637	120

Characteristic curves

Q= Flow rate in m³/h, m³/s and cfm

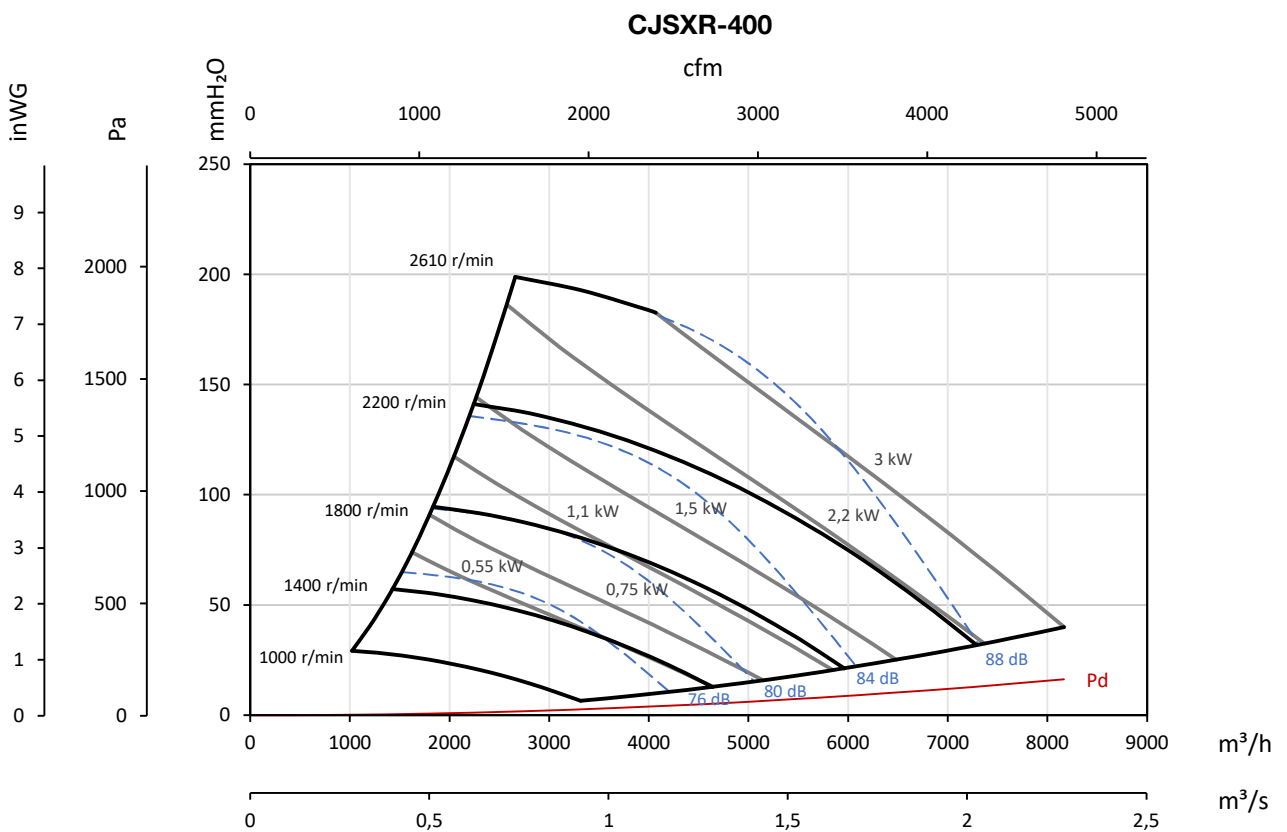
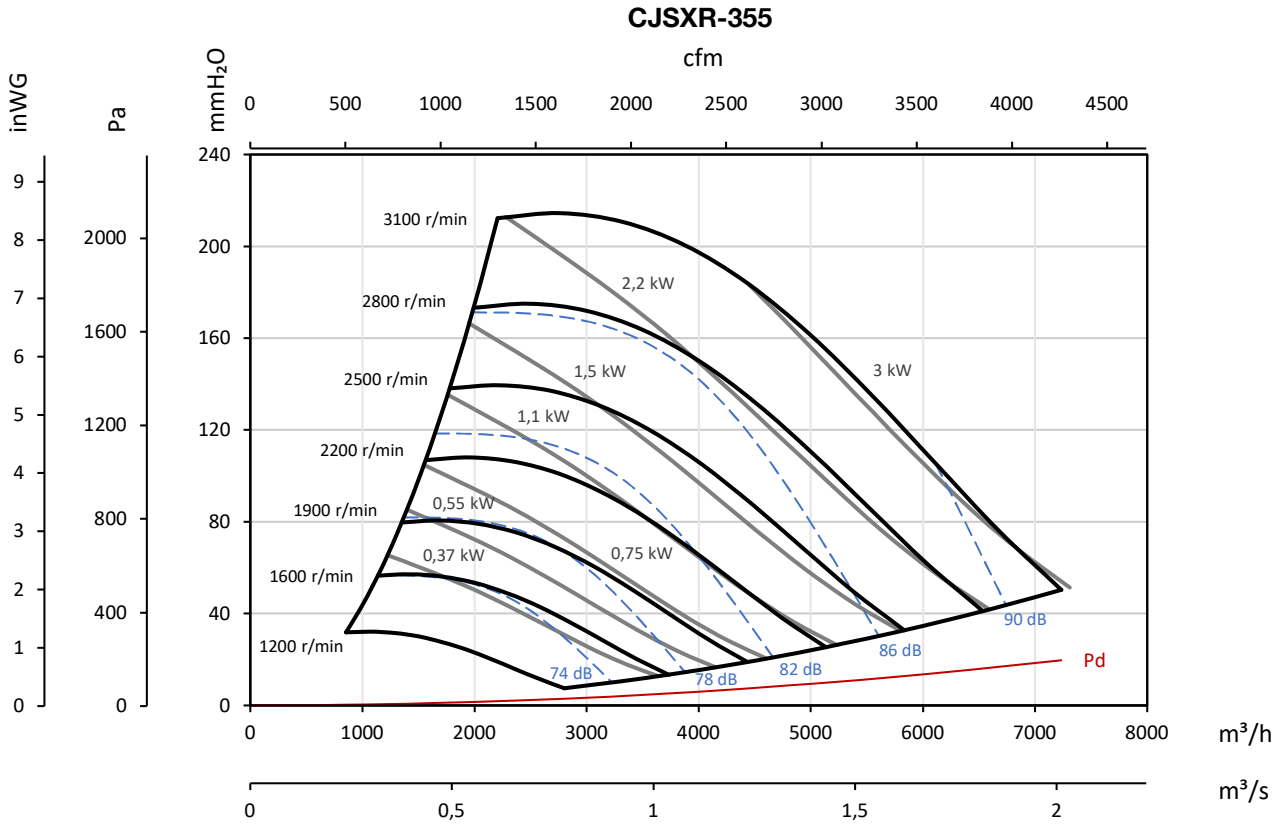
Pe= Static pressure in mm H₂O, Pa and inwg



Characteristic curves

Q= Flow rate in m³/h, m³/s and cfm

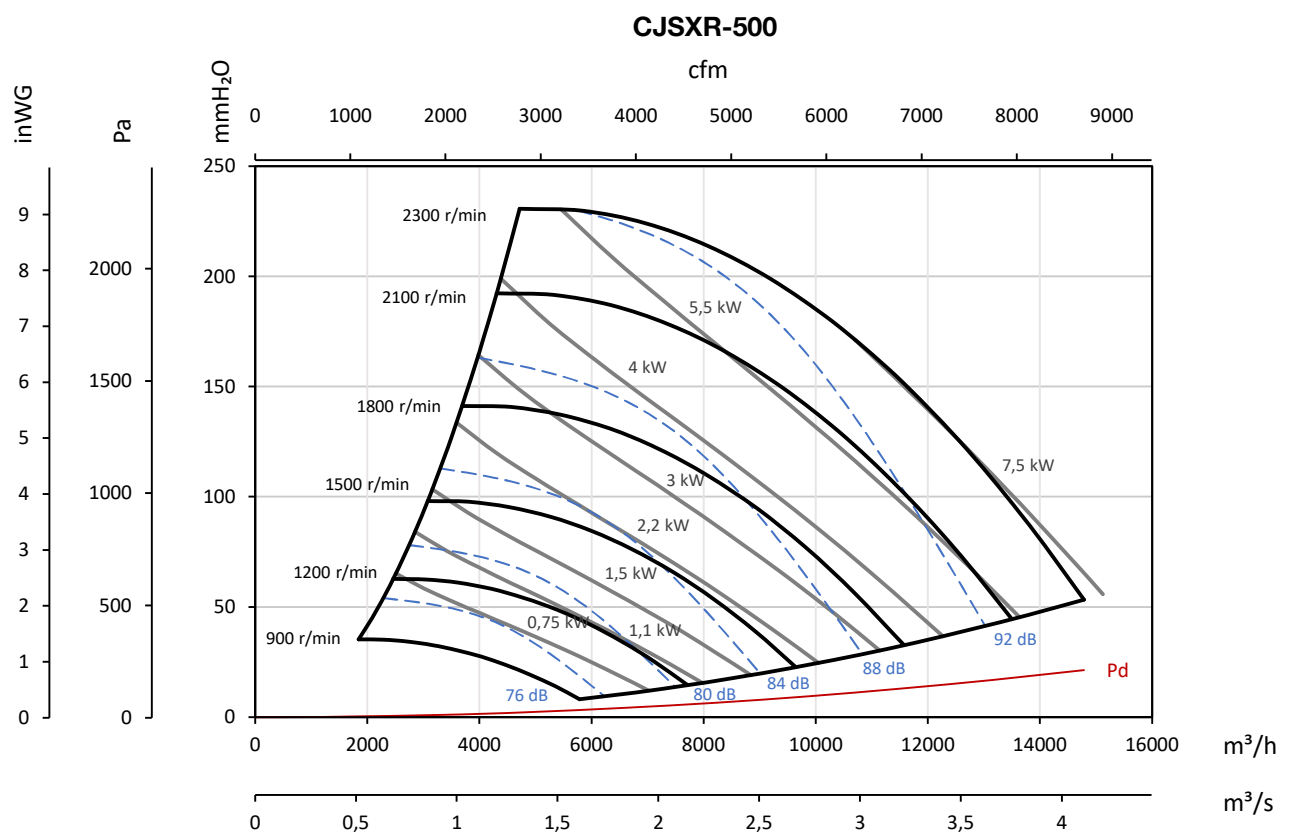
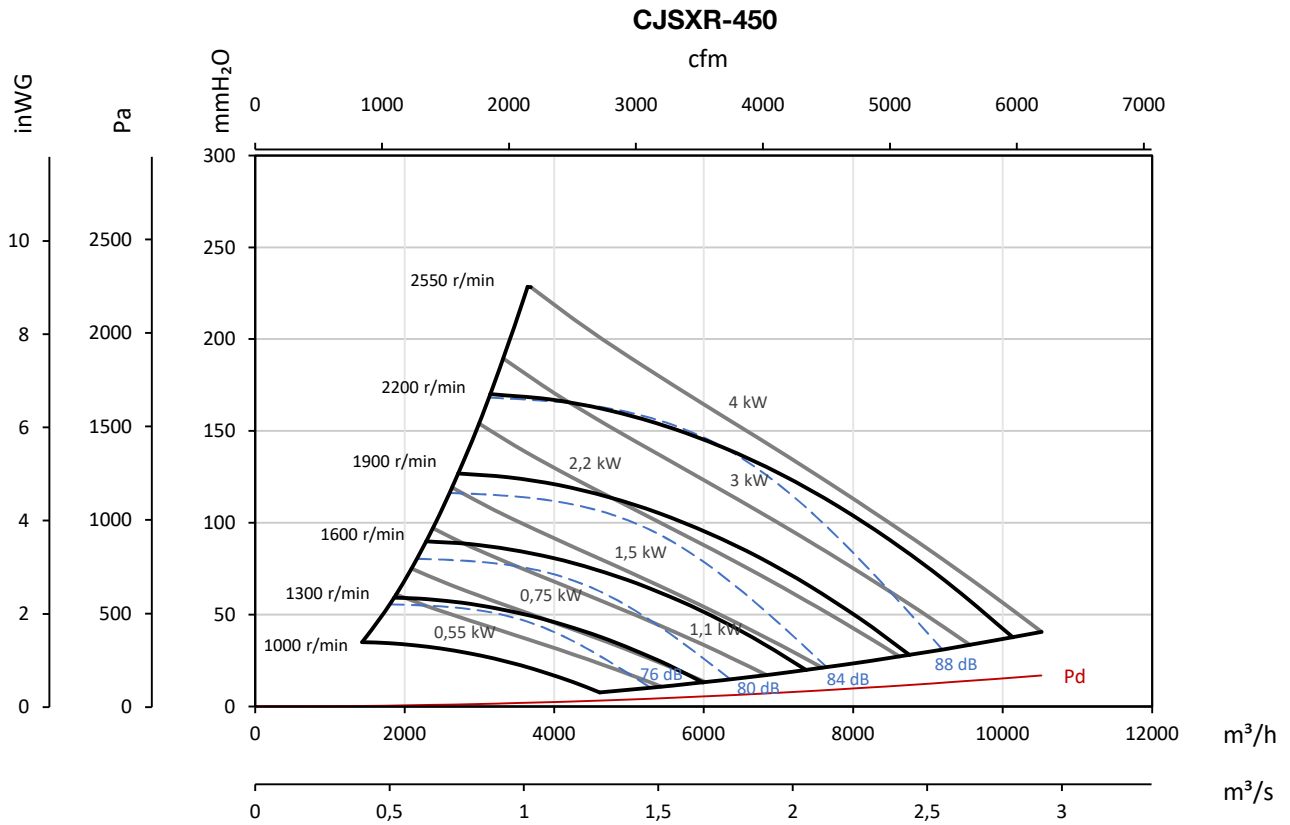
Pe= Static pressure in mm H₂O, Pa and inWG



Characteristic curves

Q= Flow rate in m³/h, m³/s and cfm

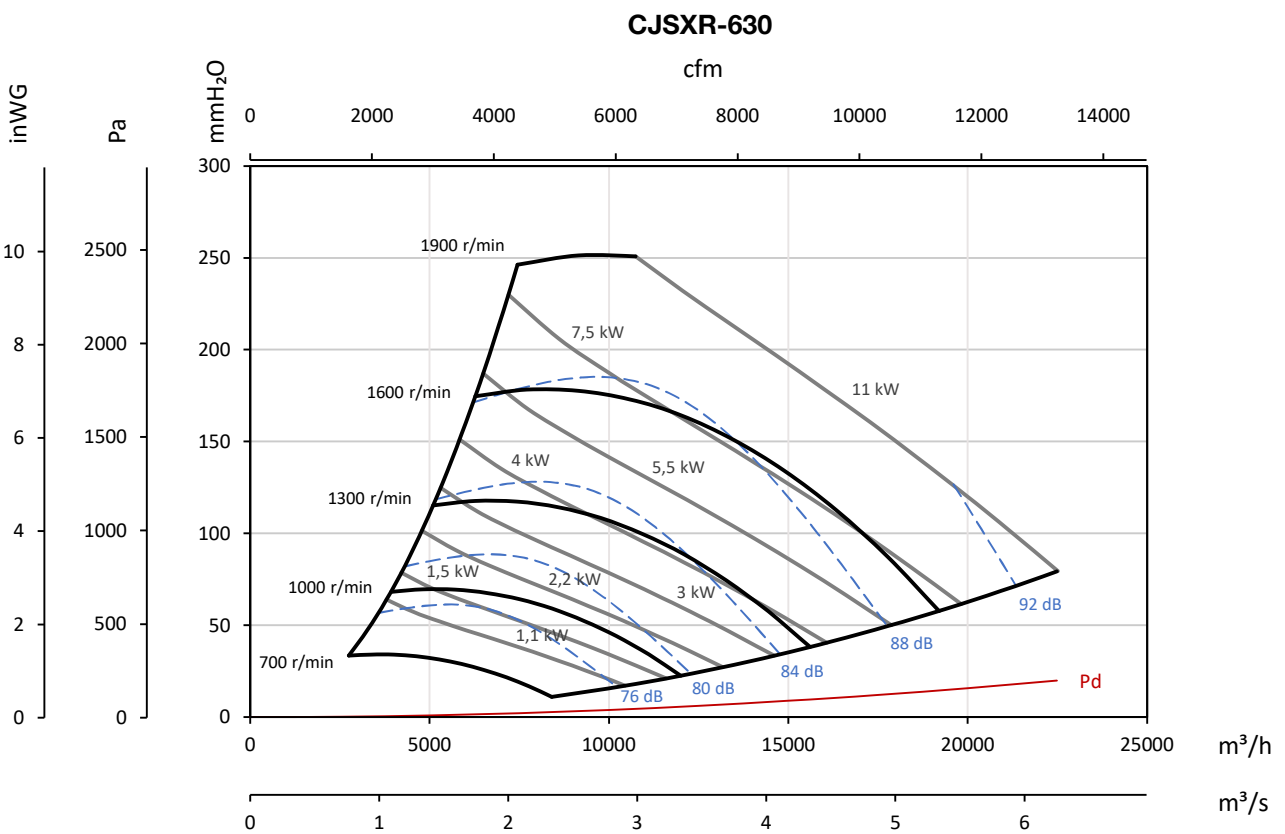
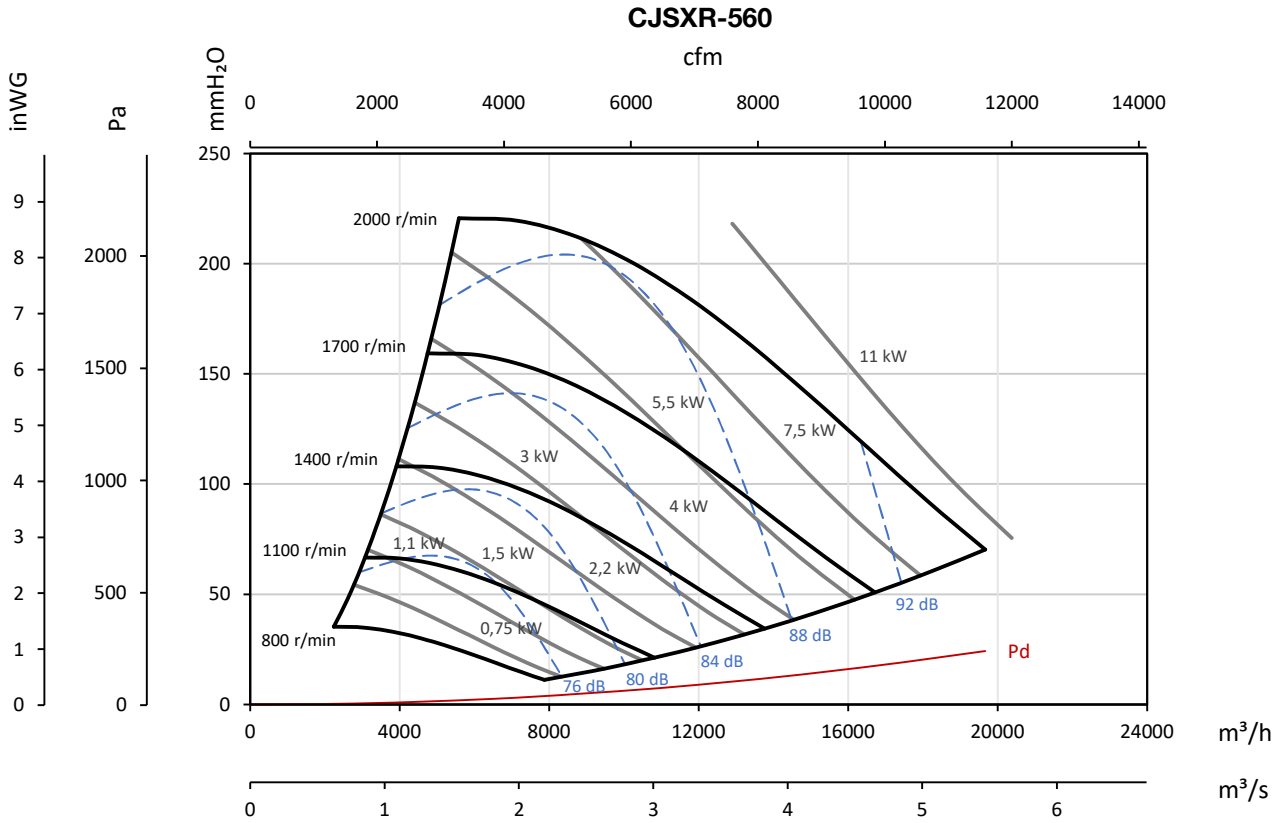
Pe= Static pressure in mm H₂O, Pa and inWG



Characteristic curves

Q= Flow rate in m³/h, m³/s and cfm

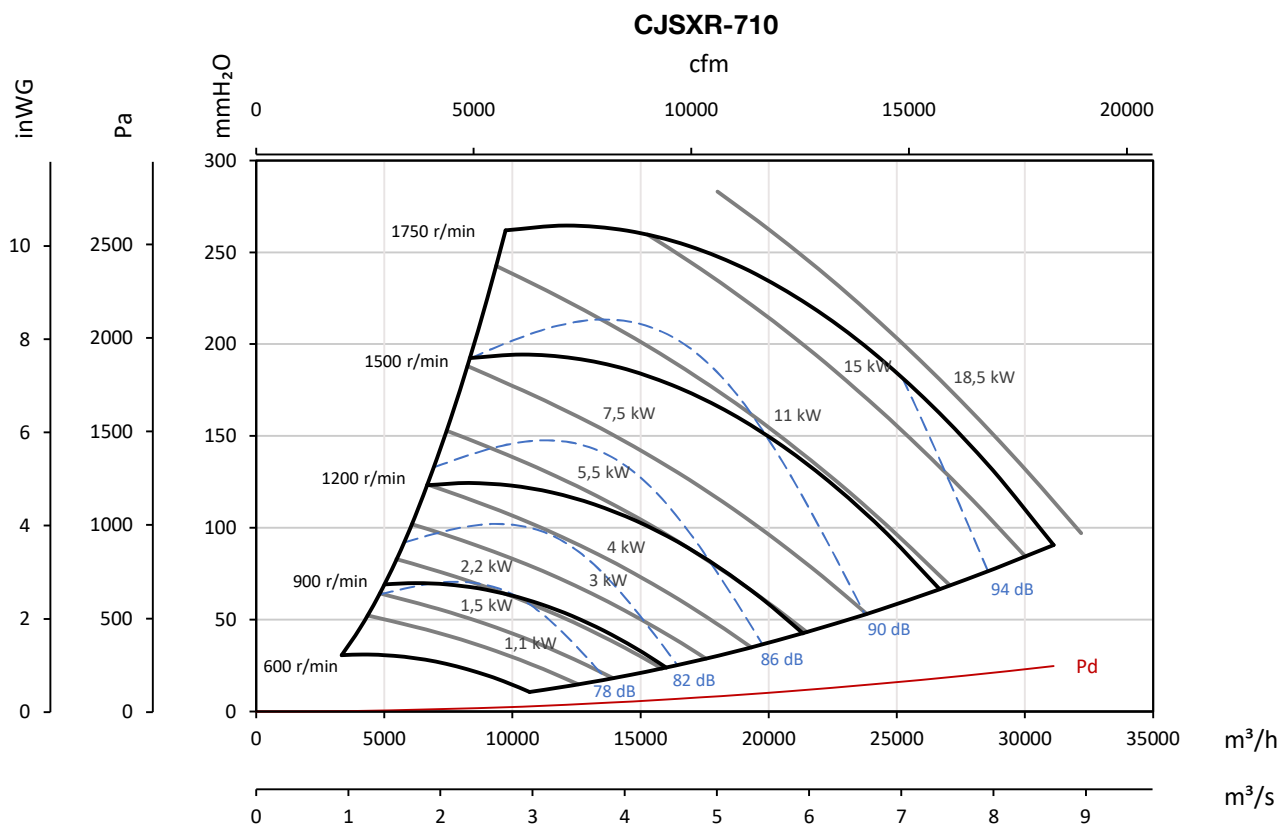
Pe= Static pressure in mm H₂O, Pa and inWG



Characteristic curves

Q= Flow rate in m³/h, m³/s and cfm

Pe= Static pressure in mm H₂O, Pa and inWG



Accessories



INT



VSD3/A-RFT
- VSD1/A-RFM



AET



VIS



TEJ