

CDXRT



Belt driven double inlet centrifugal fans with backward curved impeller, electric motor, pulleys, belts and guards



Fan:

- Galvanised steel sheet casing.
- Backward curved impeller made of painted sheet steel.

Finish:

- Galvanised steel sheet.

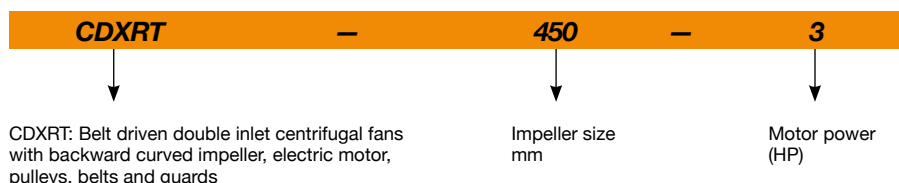
Motor:

- Motors with IE3 efficiency for powers equal to or greater than 0.75 kW, except single-phase, 2-speed and 8-pole.
- Class F motors with ball bearings and IP55 protection.
- Three-phase 230/400 V 50 Hz (up to 4 kW) and 400/690 V 50 Hz (powers greater than 4 kW).
- Working temperature: -25 °C +50 °C.

On request:

- Different outlet positions.
- ATEX certification.

Order code



Technical characteristics

Model	Speed (r/min)	Maximum admissible current (A)			Installed power (kW)	Maximum flow rate (m³/h)	Sound pressure level ¹ dB (A)		Operating temperature (°C)		Mounting type	Approx. weight (Kg)
		230V	400V	690V			Inlet	min.	max.			
CDXRT-200-0.33	2520	1.29	0.75		0.25	2040	61	-25	+50	A	31	
CDXRT-200-0.5	2870	1.56	0.90		0.37	2250	64	-25	+50	A	20	
CDXRT-200-0.75	3280	2.57	1.49		0.55	2500	66	-25	+50	A	21	
CDXRT-200-1 IE3	3640	2.80	1.62		0.75	2800	69	-25	+50	A	23	
CDXRT-200-1.5 IE3	4135	4.03	2.34		1.10	3150	71	-25	+50	A	24	
CDXRT-200-2 IE3	4590	5.34	3.07		1.50	3550	74	-25	+50	A	27	
CDXRT-200-3 IE3	4900	7.32	4.21		2.20	3950	75	-25	+50	A	30	
CDXRT-250-0.33	1760	1.66	0.96		0.25	2490	59	-25	+50	A	39	
CDXRT-250-0.5	2005	2.02	1.17		0.37	2750	62	-25	+50	A	28	
CDXRT-250-0.75	2285	2.57	1.49		0.55	3100	65	-25	+50	A	30	
CDXRT-250-1 IE3	2535	2.80	1.62		0.75	3450	67	-25	+50	A	31	
CDXRT-250-1.5 IE3	2885	4.03	2.34		1.10	3900	70	-25	+50	A	33	
CDXRT-250-2 IE3	3200	5.34	3.07		1.50	4300	72	-25	+50	A	36	
CDXRT-250-3 IE3	3645	7.32	4.21		2.20	4950	75	-25	+50	A	39	
CDXRT-250-4 IE3	4055	10.00	5.77		3.00	5550	77	-25	+50	A	46	
CDXRT-315-0.75	1535	2.17	1.25		0.55	5500	77	-25	+50	A	45	
CDXRT-315-1 IE3	1700	2.82	1.62		0.75	6000	79	-25	+50	A	46	

Technical characteristics

Model	Speed (r/min)	Maximum admissible current (A)			Installed power (kW)	Maximum flow rate (m ³ /h)	Sound pressure level ¹ dB (A)		Operating temperature (°C)		Mounting type	Approx. weight (Kg)
		230V	400V	690V			Inlet	min.	max.			
CDXRT-315-1.5 IE3	1930	4.07	2.34		1.10	6750	81	-25	+50	A	48	
CDXRT-315-2 IE3	2145	5.41	3.11		1.50	7650	84	-25	+50	A	51	
CDXRT-315-3 IE3	2445	7.32	4.21		2.20	8600	87	-25	+50	A	54	
CDXRT-315-4 IE3	2720	10.00	5.77		3.00	9650	89	-25	+50	A	61	
CDXRT-315-5.5 IE3	3000	13.00	7.50		4.00	10600	91	-25	+50	B	68	
CDXRT-315-7.5 IE3	3200		10.10	5.86	5.50	11870	93	-25	+50	B	128	
CDXRT-355-0.75	1285	2.17	1.25		0.55	6400	66	-25	+50	A	55	
CDXRT-355-1 IE3	1425	2.82	1.62		0.75	7100	68	-25	+50	A	57	
CDXRT-355-1.5 IE3	1615	4.07	2.34		1.10	8060	71	-25	+50	A	59	
CDXRT-355-2 IE3	1795	5.41	3.11		1.50	8890	73	-25	+50	A	62	
CDXRT-355-3 IE3	2045	7.93	4.56		2.20	10100	76	-25	+50	A	65	
CDXRT-355-4 IE3	2285	10.00	5.77		3.00	11395	79	-25	+50	A	72	
CDXRT-355-5.5 IE3	2520	13.00	7.50		4.00	12545	81	-25	+50	B	79	
CDXRT-355-7.5 IE3	2800		10.10	5.86	5.50	13955	83	-25	+50	B	92	
CDXRT-400-1.5 IE3	1330	4.07	2.34		1.10	9350	68	-25	+50	A	67	
CDXRT-400-2 IE3	1475	5.41	3.11		1.50	10260	71	-25	+50	A	70	
CDXRT-400-3 IE3	1680	7.93	4.56		2.20	11650	73	-25	+50	A	73	
CDXRT-400-4 IE3	1870	10.70	6.15		3.00	13110	76	-25	+50	A	80	
CDXRT-400-5.5 IE3	2065	13.90	8.00		4.00	14430	78	-25	+50	B	87	
CDXRT-400-7.5 IE3	2305		10.10	5.86	5.50	16040	80	-25	+50	B	100	
CDXRT-400-10 IE3	2390		14.10	8.17	7.50	17250	81	-25	+50	B	166	
CDXRT-450-1.5 IE3	1105	4.07	2.34		1.10	10750	72	-25	+50	A	88	
CDXRT-450-2 IE3	1225	5.41	3.11		1.50	11960	74	-25	+50	A	91	
CDXRT-450-3 IE3	1400	7.93	4.56		2.20	13600	77	-25	+50	A	94	
CDXRT-450-4 IE3	1555	10.70	6.15		3.00	15100	79	-25	+50	A	101	
CDXRT-450-5.5 IE3	1720	13.90	8.00		4.00	16835	81	-25	+50	B	108	
CDXRT-450-7.5 IE3	1915		10.30	5.97	5.50	18500	84	-25	+50	B	121	
CDXRT-450-10 IE3	2125		13.90	8.06	7.50	20760	86	-25	+50	B	131	
CDXRT-450-15 IE3	2190		20.90	12.10	11.00	21890	87	-25	+50	B	236	
CDXRT-500-1.5 IE3	910	4.07	2.34		1.10	12460	69	-25	+50	A	105	
CDXRT-500-2 IE3	1015	5.41	3.11		1.50	13815	71	-25	+50	A	108	
CDXRT-500-3 IE3	1155	7.93	4.56		2.20	15700	74	-25	+50	A	111	
CDXRT-500-4 IE3	1285	10.70	6.15		3.00	17650	77	-25	+50	A	118	
CDXRT-500-5.5 IE3	1415	13.90	8.00		4.00	19430	79	-25	+50	B	125	
CDXRT-500-7.5 IE3	1580		10.30	5.97	5.50	21600	81	-25	+50	B	138	
CDXRT-500-10 IE3	1755		13.90	8.06	7.50	23950	83	-25	+50	B	148	
CDXRT-500-15 IE3	1995		20.90	12.10	11.00	27220	86	-25	+50	B	167	
CDXRT-500-20 IE3	2065		27.90	16.20	15.00	29050	87	-25	+50	B	251	
CDXRT-560-2 IE3	840	5.41	3.11		1.50	15620	77	-25	+50	A	169	
CDXRT-560-3 IE3	955	7.93	4.56		2.20	17830	80	-25	+50	A	172	
CDXRT-560-4 IE3	1060	10.70	6.15		3.00	20380	82	-25	+50	A	179	
CDXRT-560-5.5 IE3	1170	13.90	8.00		4.00	22170	84	-25	+50	B	186	
CDXRT-560-7.5 IE3	1310		10.30	5.97	5.50	24940	87	-25	+50	B	199	
CDXRT-560-10 IE3	1450		13.90	8.06	7.50	27660	89	-25	+50	B	209	
CDXRT-560-15 IE3	1650		20.90	12.10	11.00	31050	92	-25	+50	B	228	
CDXRT-560-20 IE3	1800		27.90	16.20	15.00	34710	94	-25	+50	B	241	
CDXRT-630-2 IE3	680	5.41	3.11		1.50	19160	74	-25	+50	A	251	
CDXRT-630-3 IE3	775	7.93	4.56		2.20	21210	76	-25	+50	A	201	
CDXRT-630-4 IE3	860	10.70	6.15		3.00	23860	79	-25	+50	A	208	
CDXRT-630-5.5 IE3	950	13.90	8.00		4.00	26260	81	-25	+50	B	215	
CDXRT-630-7.5 IE3	1060		10.30	5.97	5.50	29200	83	-25	+50	B	228	
CDXRT-630-10 IE3	1175		13.90	8.06	7.50	32385	86	-25	+50	B	238	
CDXRT-630-15 IE3	1335		20.90	12.10	11.00	36800	88	-25	+50	B	257	
CDXRT-630-20 IE3	1480		27.90	16.20	15.00	41415	91	-25	+50	B	270	
CDXRT-630-25 IE3	1590		35.10	20.30	18.50	44410	92	-25	+50	B	287	

Technical characteristics

Model	Speed (r/min)	Maximum admissible current (A)			Installed power (kW)	Maximum flow rate (m ³ /h)	Sound pressure level ¹ dB (A)	Operating temperature (°C)		Mounting type	Approx. weight (Kg)
		230V	400V	690V				min.	max.		
CDXRT-630-30 IE3	1685		41.00	23.80	22.00	47050	93	-25	+50	B	330
CDXRT-710-3 IE3	645	7.93	4.56		2.20	23200	85	-25	+50	A	259
CDXRT-710-4 IE3	720	10.70	6.15		3.00	26200	87	-25	+50	A	266
CDXRT-710-5.5 IE3	795	13.90	8.00		4.00	29200	89	-25	+50	B	273
CDXRT-710-7.5 IE3	885		10.30	5.97	5.50	32200	92	-25	+50	B	286
CDXRT-710-10 IE3	985		13.90	8.06	7.50	35600	94	-25	+50	B	296
CDXRT-710-15 IE3	1115		20.90	12.10	11.00	40600	97	-25	+50	B	315
CDXRT-710-20 IE3	1240		27.90	16.20	15.00	45600	99	-25	+50	B	328
CDXRT-710-25 IE3	1330		35.10	20.30	18.50	49000	101	-25	+50	B	345
CDXRT-710-30 IE3	1400		41.00	23.80	22.00	52000	102	-25	+50	B	388
CDXRT-800-4 IE3	595	10.70	6.15		3.00	33660	66	-25	+50	B	457
CDXRT-800-5.5 IE3	655	13.90	8.00		4.00	37075	68	-25	+50	B	467
CDXRT-800-7.5 IE3	735		10.30	5.97	5.50	41460	71	-25	+50	B	477
CDXRT-800-10 IE3	815		13.90	8.06	7.50	46060	73	-25	+50	B	497
CDXRT-800-15 IE3	925		20.90	12.10	11.00	52310	76	-25	+50	B	532
CDXRT-800-20 IE3	1025		27.90	16.20	15.00	57960	78	-25	+50	B	586
CDXRT-800-25 IE3	1100		35.10	20.30	18.50	62170	80	-25	+50	B	605
CDXRT-800-30 IE3	1160		41.00	23.80	22.00	65655	81	-25	+50	B	614
CDXRT-800-40 IE3	1290		57.10	33.10	30.00	72880	83	-25	+50	B	798
CDXRT-900-5.5 IE3	540	13.90	8.00		4.00	43370	64	-25	+50	B	667
CDXRT-900-7.5 IE3	600		10.30	5.97	5.50	48200	67	-25	+50	B	677
CDXRT-900-10 IE3	665		13.90	8.06	7.50	53540	69	-25	+50	B	697
CDXRT-900-15 IE3	760		20.90	12.10	11.00	61220	72	-25	+50	B	732
CDXRT-900-20 IE3	840		27.90	16.20	15.00	67560	74	-25	+50	B	787
CDXRT-900-25 IE3	895		35.10	20.30	18.50	72090	75	-25	+50	B	807
CDXRT-900-30 IE3	955		41.00	23.80	22.00	76930	77	-25	+50	B	816
CDXRT-900-40 IE3	1055		57.10	33.10	30.00	84890	79	-25	+50	B	999
CDXRT-900-50 IE3	1130		66.80	38.70	37.00	91030	80	-25	+50	B	1057
CDXRT-900-60 IE3	1200		80.90	46.90	45.00	96670	82	-25	+50	B	1270
CDXRT-1000-7.5 IE3	520		10.30	5.97	5.50	55400	68	-25	+50	B	737
CDXRT-1000-10 IE3	575		13.90	8.06	7.50	61300	71	-25	+50	B	757
CDXRT-1000-15 IE3	650		20.90	12.10	11.00	69515	73	-25	+50	B	792
CDXRT-1000-20 IE3	720		27.90	16.20	15.00	77000	75	-25	+50	B	847
CDXRT-1000-25 IE3	775		35.10	20.30	18.50	82870	77	-25	+50	B	865
CDXRT-1000-30 IE3	820		41.00	23.80	22.00	87695	78	-25	+50	B	874
CDXRT-1000-40 IE3	910		57.10	33.10	30.00	97310	81	-25	+50	B	1058
CDXRT-1000-50 IE3	975		66.80	38.70	37.00	104270	82	-25	+50	B	1116
CDXRT-1000-60 IE3	1040		80.90	46.90	45.00	111220	83	-25	+50	B	1329
CDXRT-1000-75 IE3	1100		98.60	57.20	55.00	117640	85	-25	+50	B	1354

1. The noise level values are pressures in dB(A) measured at a distance of 3 metres in a free field.

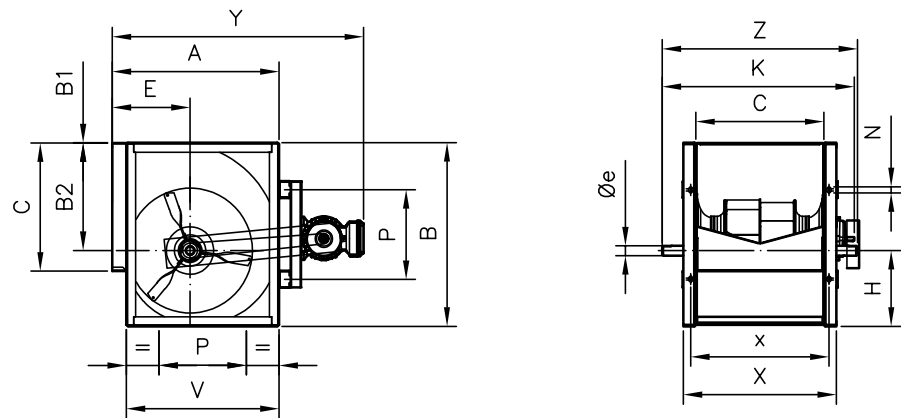


Erp. (Energy Related Products)

Information on Directive 2009/125/EC can be downloaded from the SODECA website or the QuickFan selector programme.

Dimensions mm

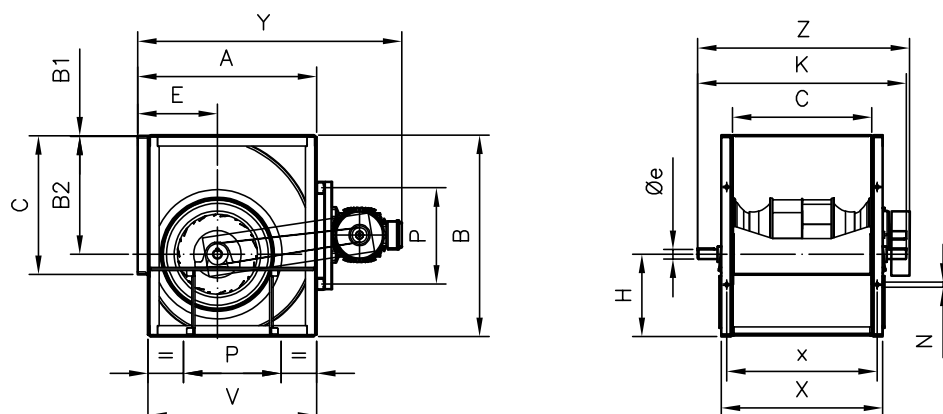
Mounting type: A
Standard supply: RD 90



	A	B	B1	B2	C	E	øe	H	K	N	P	V	X	x	Y	Z
CDXRT-200-0.33	343	370	0.5	215	256	164	25	154.5	420	11x16	224	306	319	281	595	500
CDXRT-200-0.5	343	370	0.5	215	256	164	25	154.5	420	11x16	224	306	319	281	603	500
CDXRT-200-0.75	343	370	0.5	215	256	164	25	154.5	420	11x16	224	306	319	281	603	500
CDXRT-200-1	343	370	0.5	215	256	164	25	154.5	420	11x16	224	306	319	281	630	500
CDXRT-200-1.5	343	370	0.5	215	256	164	25	154.5	420	11x16	224	306	319	281	630	500
CDXRT-200-2	343	370	0.5	215	256	164	25	154.5	420	11x16	224	306	319	281	649	500
CDXRT-200-3	343	370	0.5	215	256	164	25	154.5	420	11x16	224	306	319	281	649	500
CDXRT-250-0.33	419	461	0.5	270	322	195	25	190.5	490	11x16	224	384	385	347	679	570
CDXRT-250-0.5	419	461	0.5	270	322	195	25	190.5	490	11x16	224	384	385	347	679	570
CDXRT-250-0.75	419	461	0.5	270	322	195	25	190.5	490	11x16	224	384	385	347	679	570
CDXRT-250-1	419	461	0.5	270	322	195	25	190.5	490	11x16	224	384	385	347	706	570
CDXRT-250-1.5	419	461	0.5	270	322	195	25	190.5	490	11x16	224	384	385	347	706	570
CDXRT-250-2	419	461	0.5	270	322	195	25	190.5	490	11x16	224	384	385	347	725	570
CDXRT-250-3	419	461	0.5	270	322	195	25	190.5	490	11x16	224	384	385	347	745	570
CDXRT-250-4	419	461	0.5	270	322	195	25	190.5	490	11x16	224	384	385	347	745	570

Dimensions mm

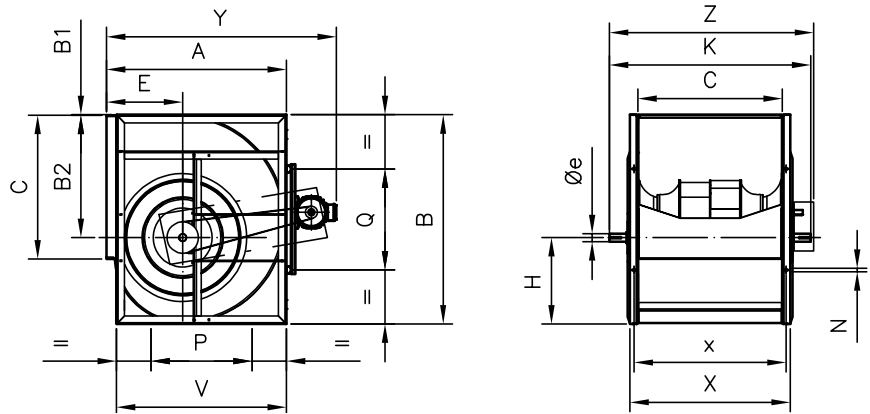
Mounting type: A
Standard supply: RD 90



	A	B	B1	B2	C	E	øe	H	K	N	P	V	X	x	Y	Z
CDXRT-315-0.75	518	578	2	341	404	236	25	234	640	13x18	280	480	464	434	805	720
CDXRT-315-1	518	578	2	341	404	236	25	234	640	13x18	280	480	464	434	805	720
CDXRT-315-1.5	518	578	2	341	404	236	25	234	640	13x18	280	480	464	434	824	720
CDXRT-315-2	518	578	2	341	404	236	25	234	640	13x18	280	480	464	434	824	720
CDXRT-315-3	518	578	2	341	404	236	25	234	640	13x18	280	480	464	434	844	720
CDXRT-315-4	518	578	2	341	404	236	25	234	640	13x18	280	480	464	434	844	720
CDXRT-355-0.75	578	650	-	384.5	453	261	35	266	700	13x18	355	548	533	493	865	780
CDXRT-355-1	578	650	-	384.5	453	261	35	266	700	13x18	355	548	533	493	865	780
CDXRT-355-1.5	578	650	-	384.5	453	261	35	266	700	13x18	355	548	533	493	884	780
CDXRT-355-2	578	650	-	384.5	453	261	35	266	700	13x18	355	548	533	493	884	780
CDXRT-355-3	578	650	-	384.5	453	261	35	266	700	13x18	355	548	533	493	904	780
CDXRT-355-4	578	650	-	384.5	453	261	35	266	700	13x18	355	548	533	493	904	780
CDXRT-400-1.5	651	733	-	433	507	290	35	300	760	13x18	355	613	587	547	957	840
CDXRT-400-2	651	733	-	433	507	290	35	300	760	13x18	355	613	587	547	957	840
CDXRT-400-3	651	733	-	433	507	290	35	300	760	13x18	355	613	587	547	977	840
CDXRT-400-4	651	733	-	433	507	290	35	300	760	13x18	355	613	587	547	977	840
CDXRT-450-1.5	728	823	-	487	569	322	35	336	845	13x18	530	681	649	609	1034	925
CDXRT-450-2	728	823	-	487	569	322	35	336	845	13x18	530	681	649	609	1034	925
CDXRT-450-3	728	823	-	487	569	322	35	336	845	13x18	530	681	649	609	1054	925
CDXRT-450-4	728	823	-	487	569	322	35	336	845	13x18	530	681	649	609	1054	925
CDXRT-500-1.5	800	918	3	540	638	352	35	375	915	13x18	530	750	718	678	1106	995
CDXRT-500-2	800	918	3	540	638	352	35	375	915	13x18	530	750	718	678	1106	995
CDXRT-500-3	800	918	3	540	638	352	35	375	915	13x18	530	750	718	678	1126	995
CDXRT-500-4	800	918	3	540	638	352	35	375	915	13x18	530	750	718	678	1126	995

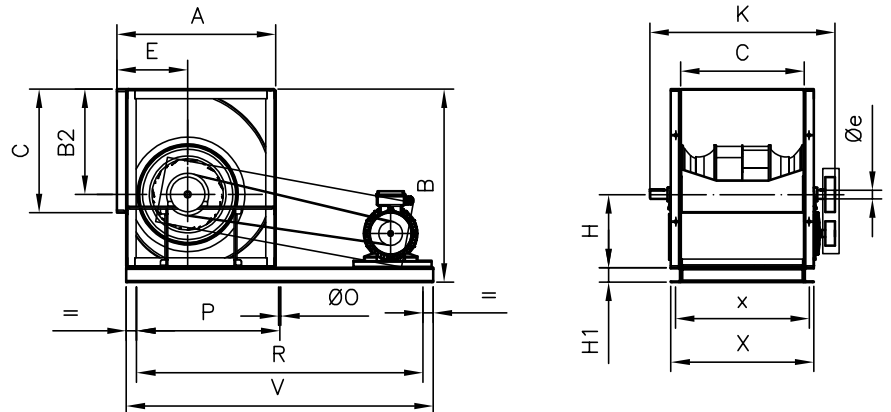
Dimensions mm

Mounting type: A
Standard supply: RD 90



	A	B	B1	B2	C	E	øe	H	K	N	P	V	X	x	Y	Z
CDXRT-560-2	893	1025	-	605	715	390	40	420	1000	13x18	530	845	815	765	1200	1080
CDXRT-560-3	893	1025	-	605	715	390	40	420	1000	13x18	530	845	815	765	1220	1080
CDXRT-560-4	893	1025	-	605	715	390	40	420	1000	13x18	530	845	815	765	1220	1080
CDXRT-630-2	999	1153	-	681	801	434	45	471.5	1090	13x18	530	946	901	851	1325	1170
CDXRT-630-3	999	1153	-	681	801	434	45	471.5	1090	13x18	530	946	901	851	1325	1170
CDXRT-630-4	999	1153	-	681	801	434	45	471.5	1090	13x18	530	946	901	851	1325	1170
CDXRT-710-3	1121	1303	1	766	898	476	50	538	1255	17x22	630	1058	998	948	1447	1335
CDXRT-710-4	1121	1303	1	766	898	476	50	538	1255	17x22	630	1058	998	948	1447	1335

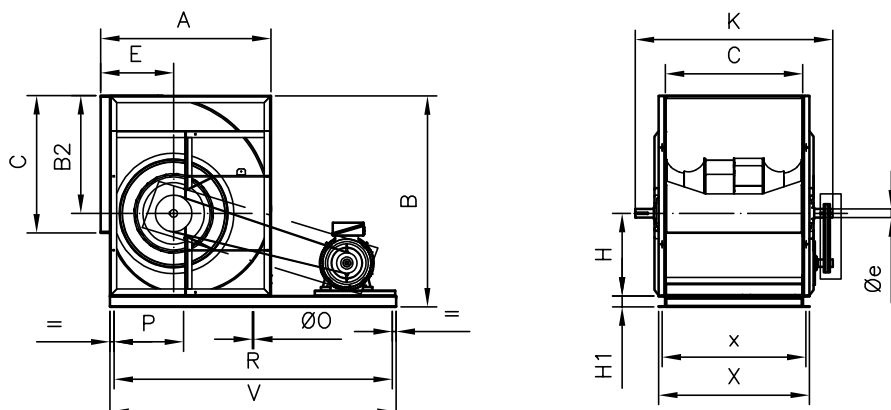
Mounting type: B
Standard supply: RD 90



	A	B	B2	C	E	øe	H	H1	K	øO	P	R	V	x	X
CDXRT-315-5.5	518	628	340	404	236	25	235	50	640	8	341	682	890	434	464
CDXRT-315-7.5	518	628	340	404	236	25	235	50	640	8	341	682	890	434	464
CDXRT-355-5.5	578	701	385	453	261	30	266	50	700	8	460	920	1076	493	533
CDXRT-355-7.5	578	701	385	453	261	30	266	50	700	8	460	920	1076	493	533
CDXRT-400-5.5	651	793	433	507	290	30	300	60	760	10	588	1176	1300	547	587
CDXRT-400-7.5	651	793	433	507	290	30	300	60	760	10	588	1176	1300	547	587
CDXRT-400-10	651	793	433	507	290	30	300	60	760	10	588	1176	1300	547	587
CDXRT-450-5.5	728	883	487	569	322	35	336	60	845	10	648	1296	1395	609	649
CDXRT-450-7.5	728	883	487	569	322	35	336	60	845	10	648	1296	1395	609	649
CDXRT-450-10	728	883	487	569	322	35	336	60	845	10	648	1296	1395	609	649
CDXRT-450-15	728	883	487	569	322	35	336	60	845	10	648	1296	1395	609	649
CDXRT-500-5.5	800	978	540	638	352	35	375	60	915	10	738	1476	1575	678	718
CDXRT-500-7.5	800	978	540	638	352	35	375	60	915	10	738	1476	1575	678	718
CDXRT-500-10	800	978	540	638	352	35	375	60	915	10	738	1476	1575	678	718
CDXRT-500-15	800	978	540	638	352	35	375	60	915	10	738	1476	1575	678	718
CDXRT-500-20	800	978	540	638	352	35	375	60	915	10	738	1476	1575	678	718

Dimensions mm

Mounting type: B
Standard supply: RD 90



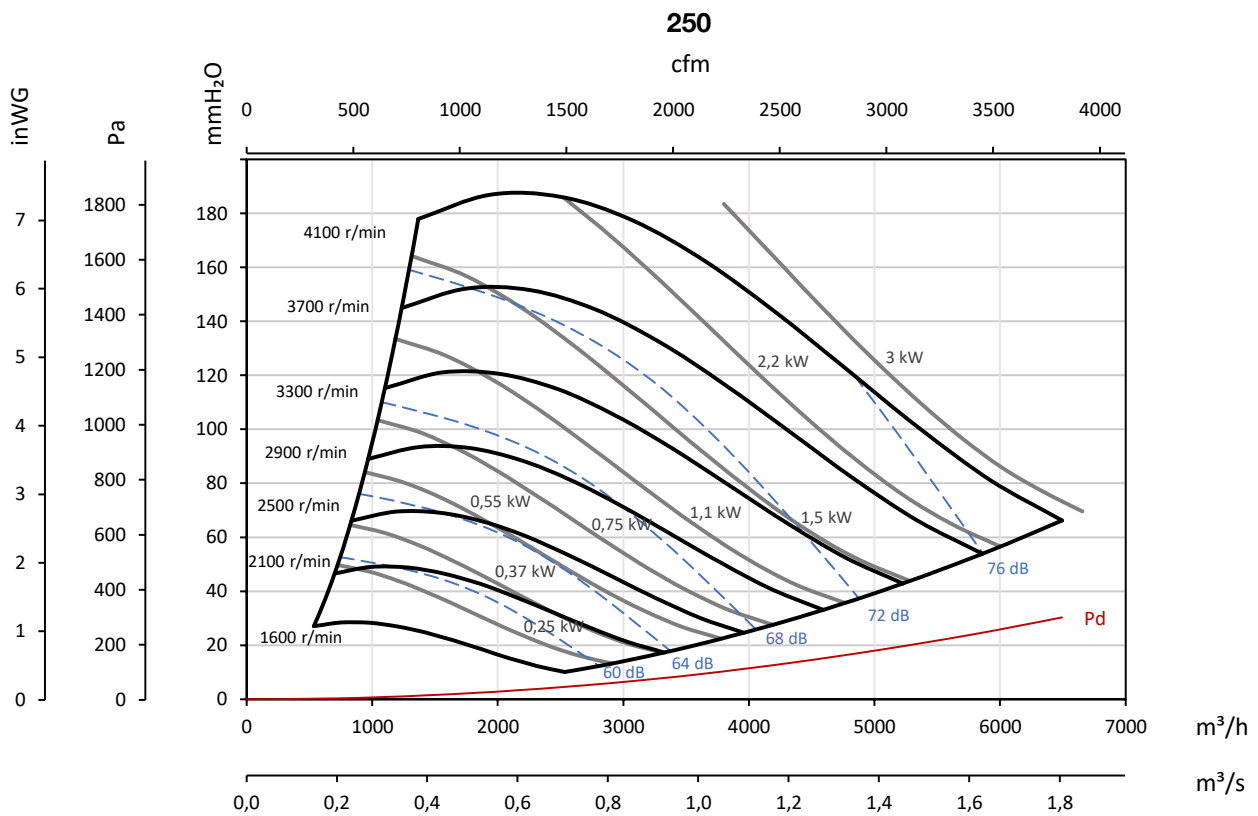
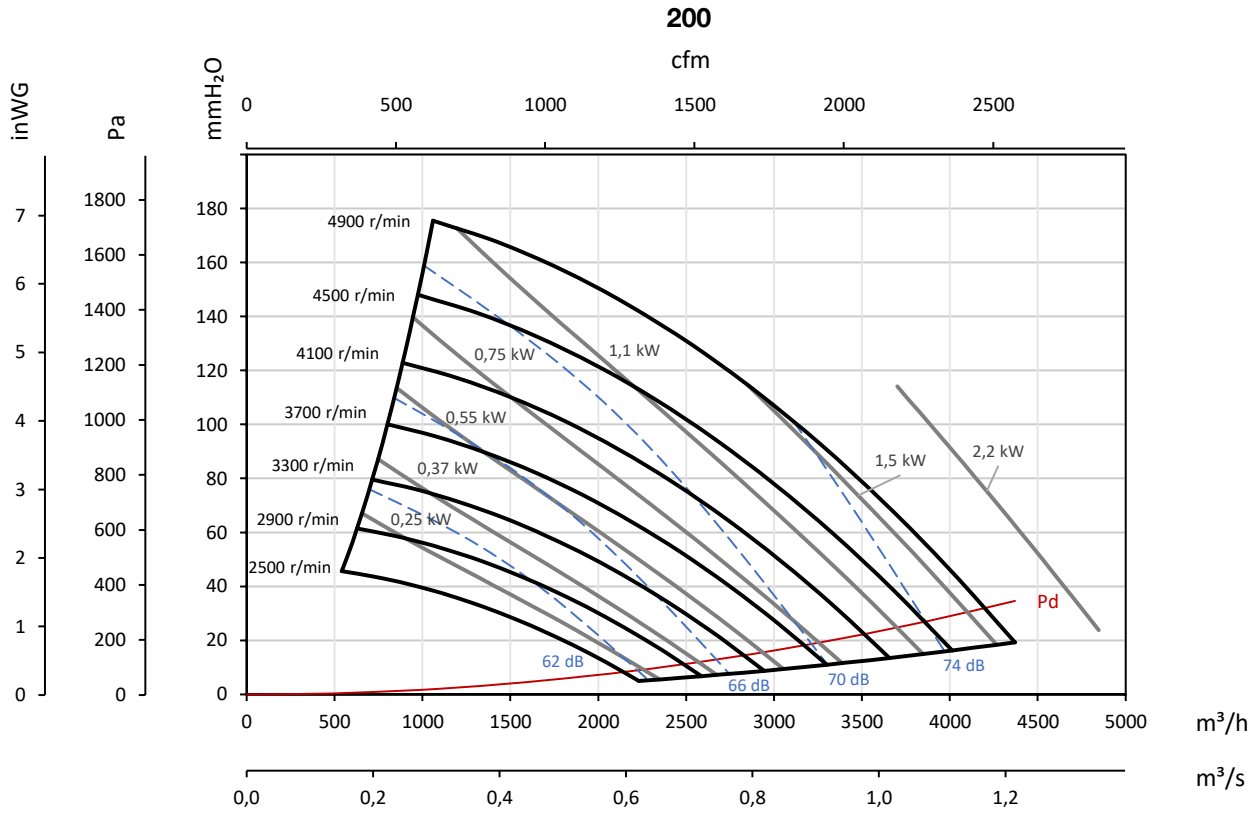
	A	B	B2	C	E	øe	H	H1	K	øO	P	R	V	x	X
CDXRT-560-5.5	893	1085	605	715	390	40	420	60	1000	10	737.5	1475	1575	765	815
CDXRT-560-7.5	893	1085	605	715	390	40	420	60	1000	10	737.5	1475	1575	765	815
CDXRT-560-10	893	1085	605	715	390	40	420	60	1000	10	737.5	1475	1575	765	815
CDXRT-560-15	893	1085	605	715	390	40	420	60	1000	10	737.5	1475	1575	765	815
CDXRT-560-20	893	1085	605	715	390	40	420	60	1000	10	737.5	1475	1575	765	815
CDXRT-630-5.5	999	1213	681	801	434	45	471.5	60	1090	10	808	1616	1715	851	901
CDXRT-630-7.5	999	1213	681	801	434	45	471.5	60	1090	10	808	1616	1715	851	901
CDXRT-630-10	999	1213	681	801	434	45	471.5	60	1090	10	808	1616	1715	851	901
CDXRT-630-15	999	1213	681	801	434	45	471.5	60	1090	10	808	1616	1715	851	901
CDXRT-630-20	999	1213	681	801	434	45	471.5	60	1090	10	808	1616	1715	851	901
CDXRT-630-25	999	1213	681	801	434	45	471.5	60	1090	10	808	1616	1715	851	901
CDXRT-630-30	999	1213	681	801	434	45	471.5	60	1090	10	808	1616	1715	851	901
CDXRT-710-5.5	1121	1384	766	898	485	50	531	80	1255	10	637	1911	2000	948	998
CDXRT-710-7.5	1121	1384	766	898	485	50	531	80	1255	10	637	1911	2000	948	998
CDXRT-710-10	1121	1384	766	898	485	50	531	80	1255	10	637	1911	2000	948	998
CDXRT-710-15	1121	1384	766	898	485	50	531	80	1255	10	637	1911	2000	948	998
CDXRT-710-20	1121	1384	766	898	485	50	531	80	1255	10	637	1911	2000	948	998
CDXRT-710-25	1121	1384	766	898	485	50	531	80	1255	10	637	1911	2000	948	998
CDXRT-710-30	1121	1384	766	898	485	50	531	80	1255	10	637	1911	2000	948	998
CDXRT-800-4	1250	1549	863	1007	535	60	599	80	1450	13	510	2040	2100	1057	1107
CDXRT-800-5.5	1250	1549	863	1007	535	60	599	80	1450	13	510	2040	2100	1057	1107
CDXRT-800-7.5	1250	1549	863	1007	535	60	599	80	1450	13	510	2040	2100	1057	1107
CDXRT-800-10	1250	1549	863	1007	535	60	599	80	1450	13	510	2040	2100	1057	1107
CDXRT-800-15	1250	1549	863	1007	535	60	599	80	1450	13	510	2040	2100	1057	1107
CDXRT-800-20	1250	1549	863	1007	535	60	599	80	1450	13	510	2040	2100	1057	1107
CDXRT-800-25	1250	1549	863	1007	535	60	599	80	1450	13	510	2040	2100	1057	1107
CDXRT-800-30	1250	1549	863	1007	535	60	599	80	1450	13	510	2040	2100	1057	1107
CDXRT-800-40	1250	1549	863	1007	535	60	599	80	1450	13	510	2040	2100	1057	1107
CDXRT-900-5.5	1408	1749	972	1130	604	65	670	100	1570	13	560	2240	2300	1180	1250
CDXRT-900-7.5	1408	1749	972	1130	604	65	670	100	1570	13	560	2240	2300	1180	1250
CDXRT-900-10	1408	1749	972	1130	604	65	670	100	1570	13	560	2240	2300	1180	1250
CDXRT-900-15	1408	1749	972	1130	604	65	670	100	1570	13	560	2240	2300	1180	1250
CDXRT-900-20	1408	1749	972	1130	604	65	670	100	1570	13	560	2240	2300	1180	1250
CDXRT-900-25	1408	1749	972	1130	604	65	670	100	1570	13	560	2240	2300	1180	1250
CDXRT-900-30	1408	1749	972	1130	604	65	670	100	1570	13	560	2240	2300	1180	1250
CDXRT-900-40	1408	1749	972	1130	604	65	670	100	1570	13	560	2240	2300	1180	1250
CDXRT-900-50	1408	1749	972	1130	604	65	670	100	1570	13	560	2240	2300	1180	1250
CDXRT-900-60	1408	1749	972	1130	604	65	670	100	1570	13	560	2240	2300	1180	1250
CDXRT-1000-7.5	1541	1911	1067	1267	657	65	735	100	1700	13	605	2420	2480	1317	1387
CDXRT-1000-10	1541	1911	1067	1267	657	65	735	100	1700	13	605	2420	2480	1317	1387
CDXRT-1000-15	1541	1911	1067	1267	657	65	735	100	1700	13	605	2420	2480	1317	1387
CDXRT-1000-20	1541	1911	1067	1267	657	65	735	100	1700	13	605	2420	2480	1317	1387
CDXRT-1000-25	1541	1911	1067	1267	657	65	735	100	1700	13	605	2420	2480	1317	1387
CDXRT-1000-30	1541	1911	1067	1267	657	65	735	100	1700	13	605	2420	2480	1317	1387
CDXRT-1000-40	1541	1911	1067	1267	657	65	735	100	1700	13	605	2420	2480	1317	1387
CDXRT-1000-50	1541	1911	1067	1267	657	65	735	100	1700	13	605	2420	2480	1317	1387
CDXRT-1000-60	1541	1911	1067	1267	657	65	735	100	1700	13	605	2420	2480	1317	1387
CDXRT-1000-75	1541	1911	1067	1267	657	65	735	100	1700	13	605	2420	2480	1317	1387

Characteristic curves

Q= Flow rate in m³/h, m³/s and cfm

Pe= Static pressure in mm H₂O, Pa and inWG

The noise level values are pressures in dB(A) measured at a distance of 3 metres in a free field.

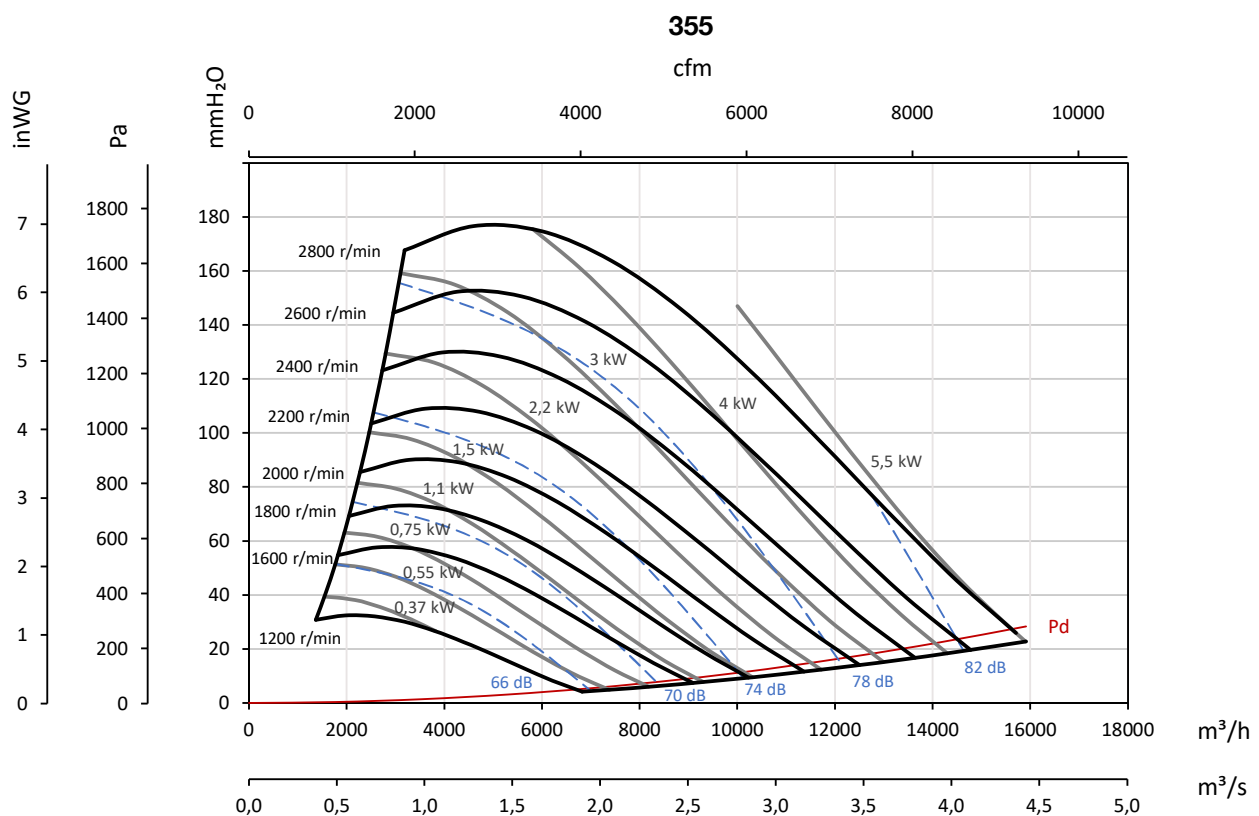
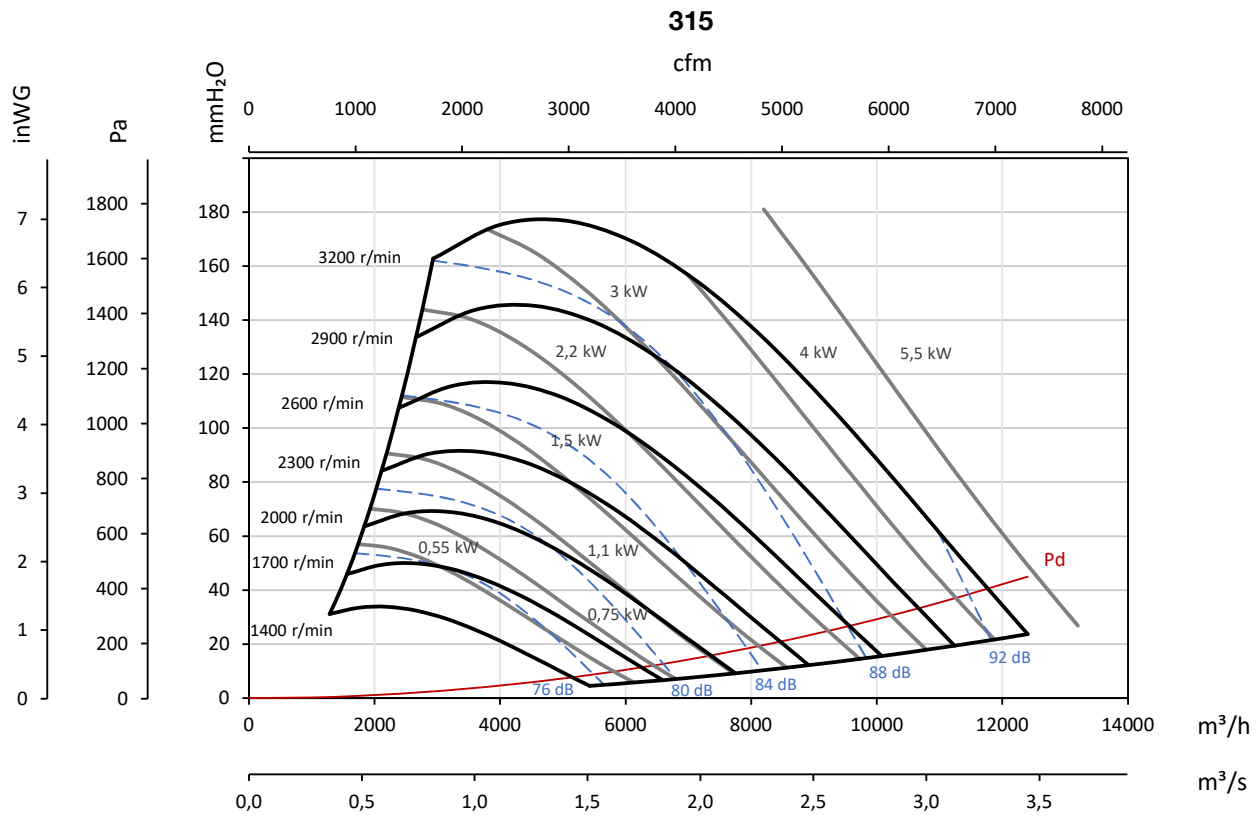


Characteristic curves

Q= Flow rate in m³/h, m³/s and cfm

Pe= Static pressure in mm H₂O, Pa and inWG

The noise level values are pressures in dB(A) measured at a distance of 3 metres in a free field.

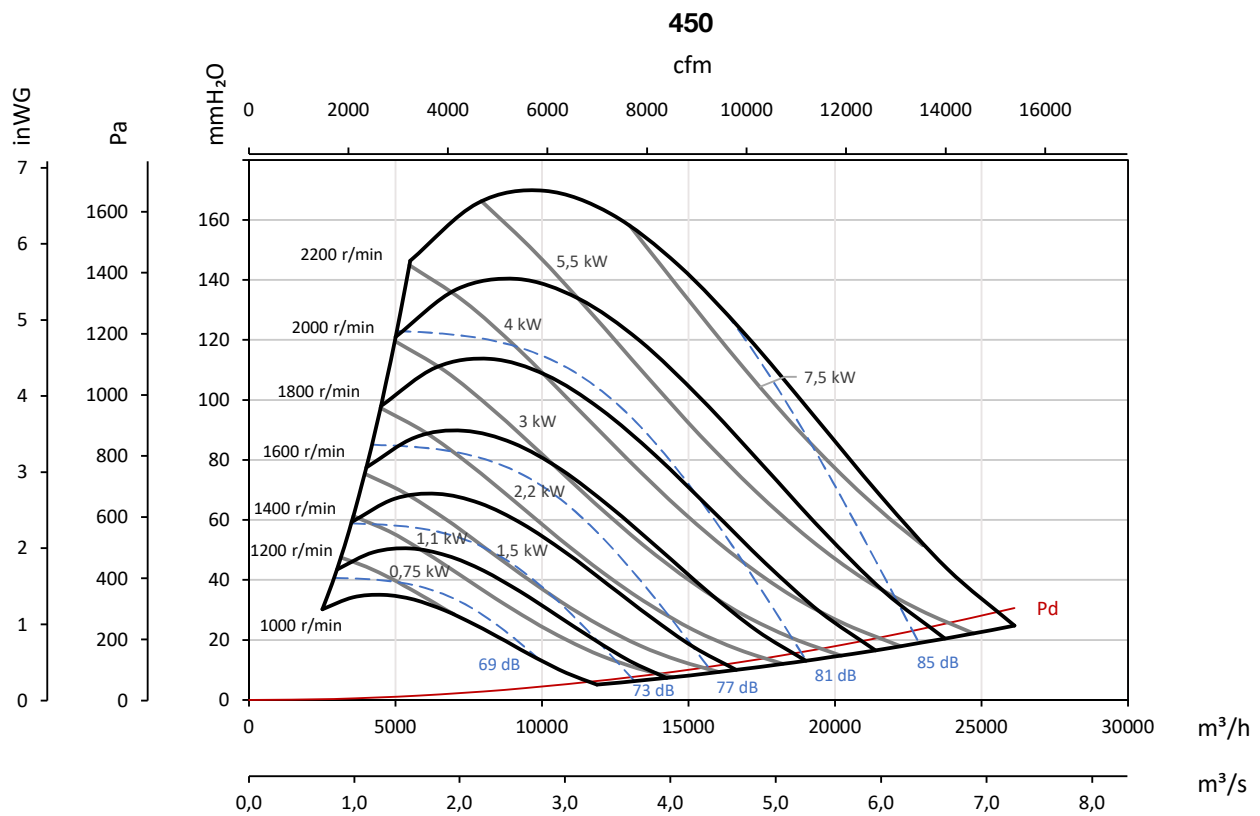
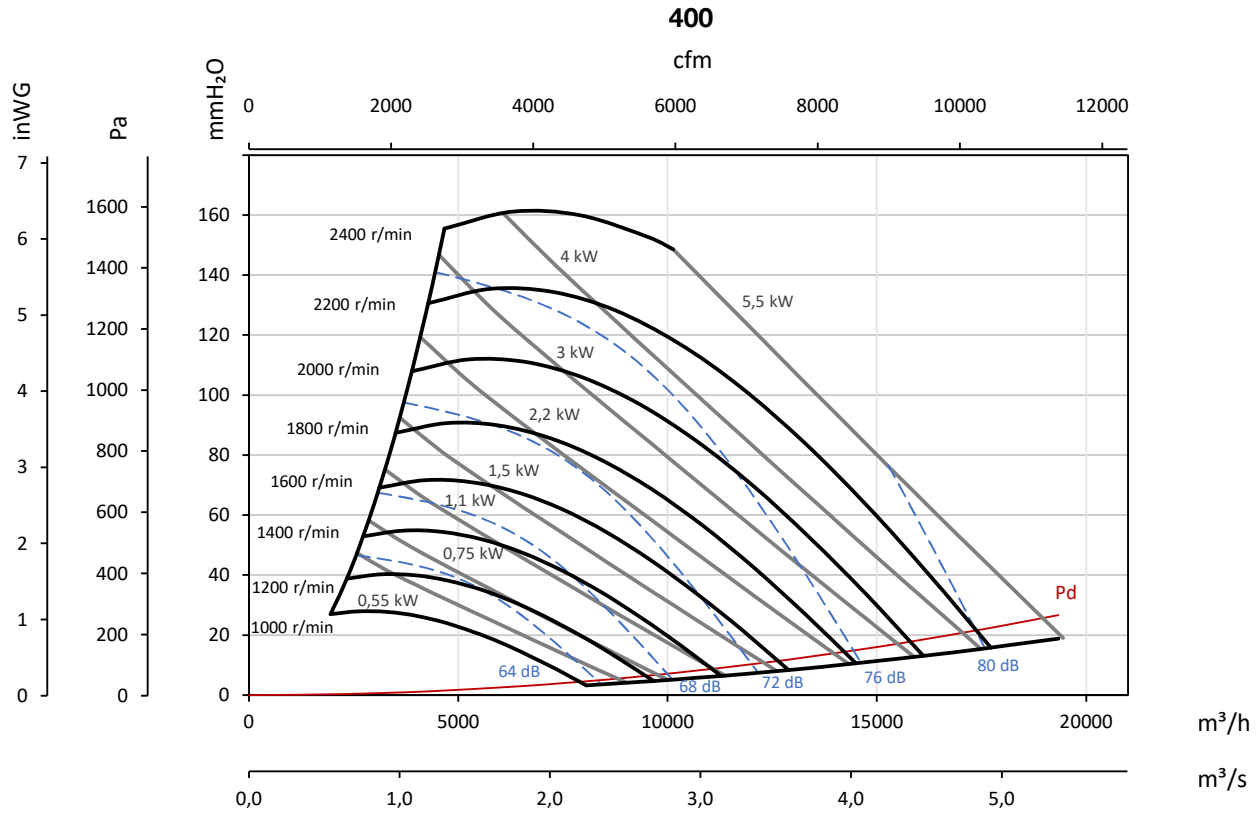


Characteristic curves

Q= Flow rate in m³/h, m³/s and cfm

Pe= Static pressure in mm H₂O, Pa and inWG

The noise level values are pressures in dB(A) measured at a distance of 3 metres in a free field.

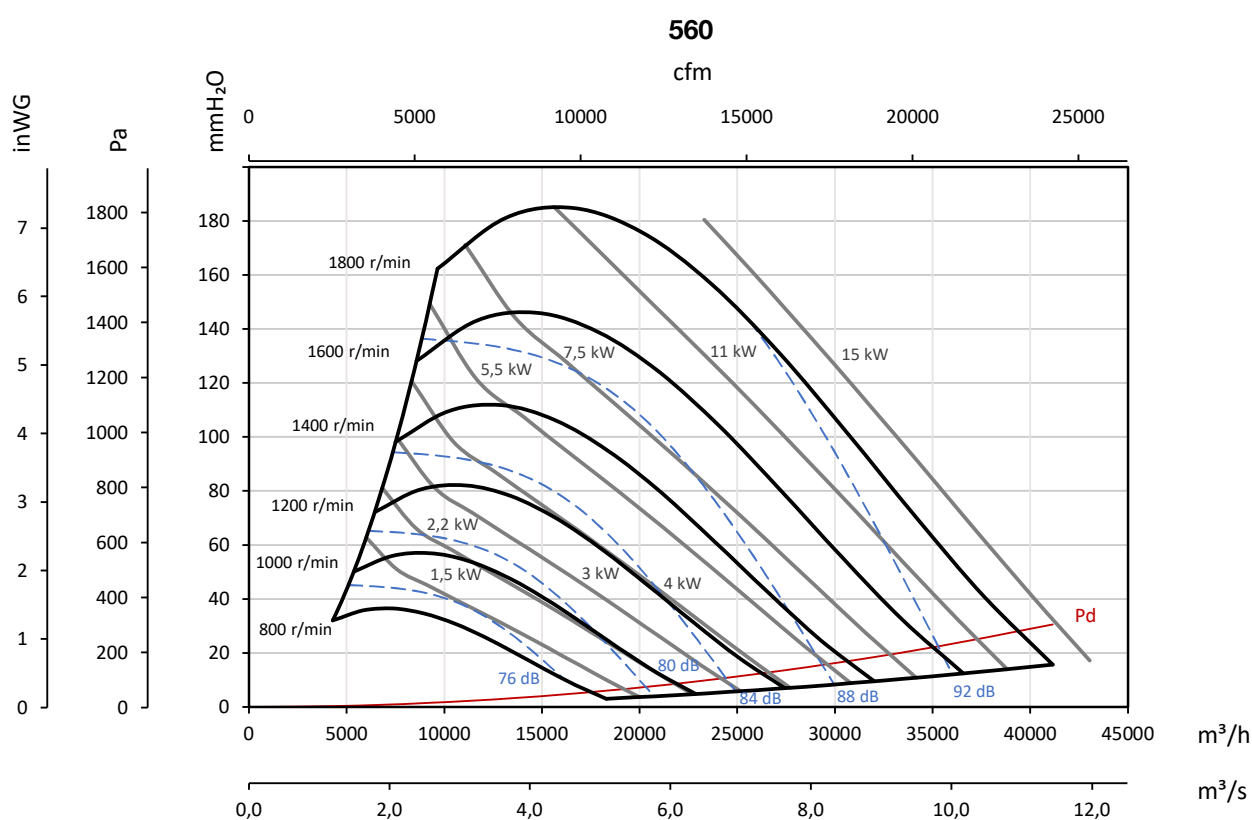
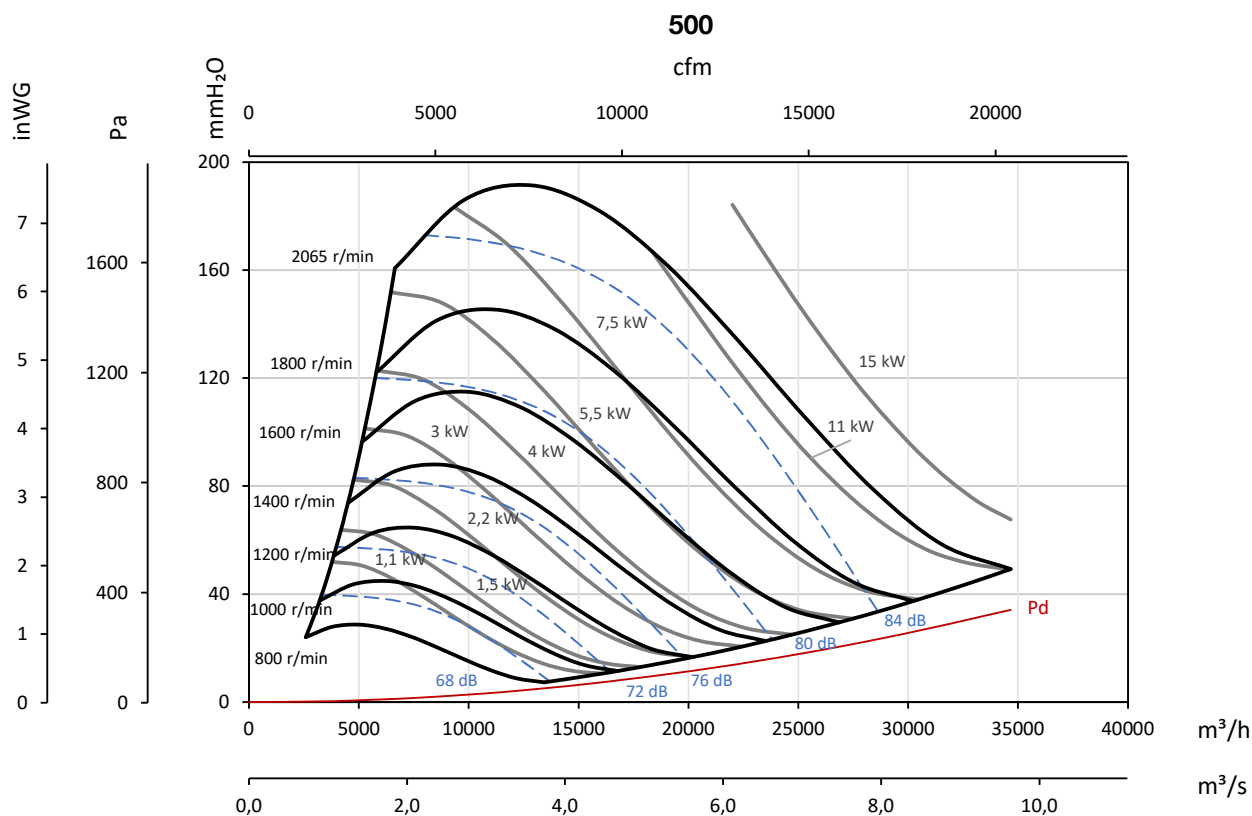


Characteristic curves

Q= Flow rate in m³/h, m³/s and cfm

Pe= Static pressure in mm H₂O, Pa and inWG

The noise level values are pressures in dB(A) measured at a distance of 3 metres in a free field.

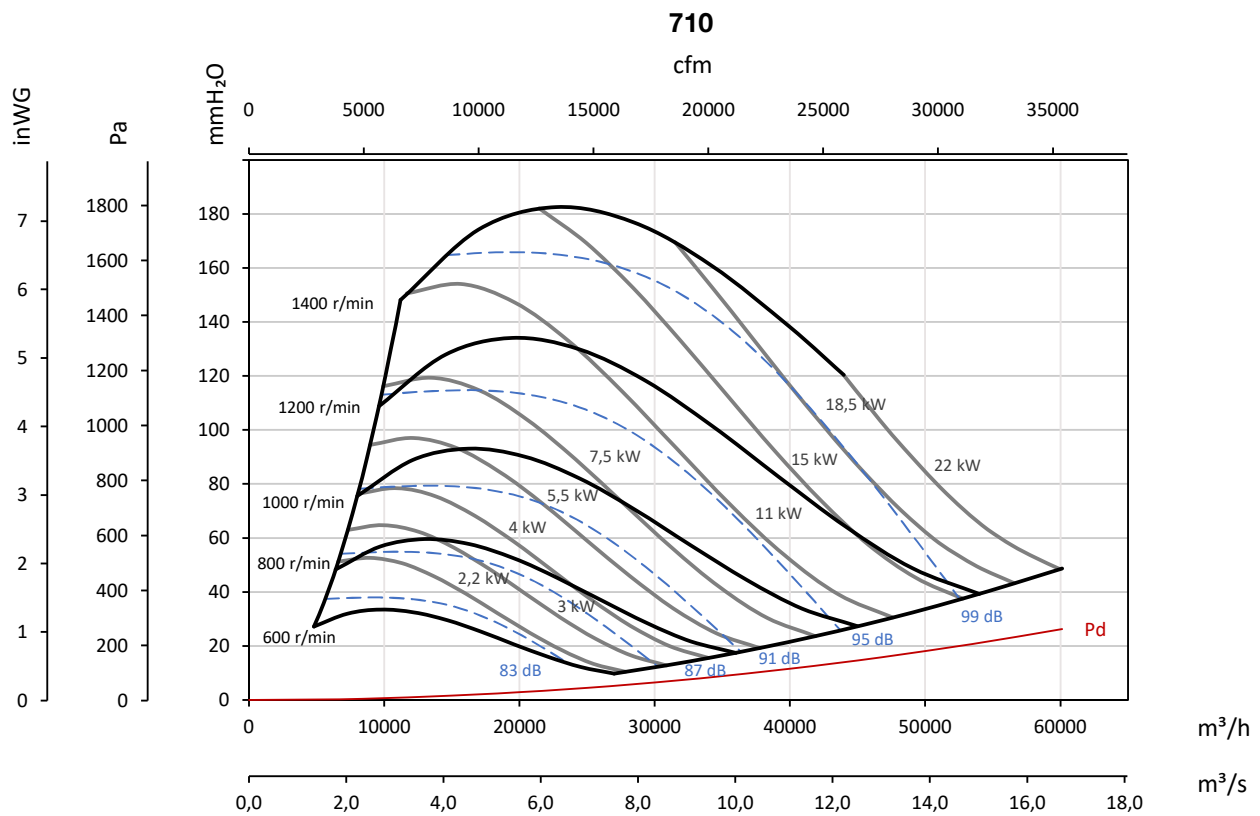
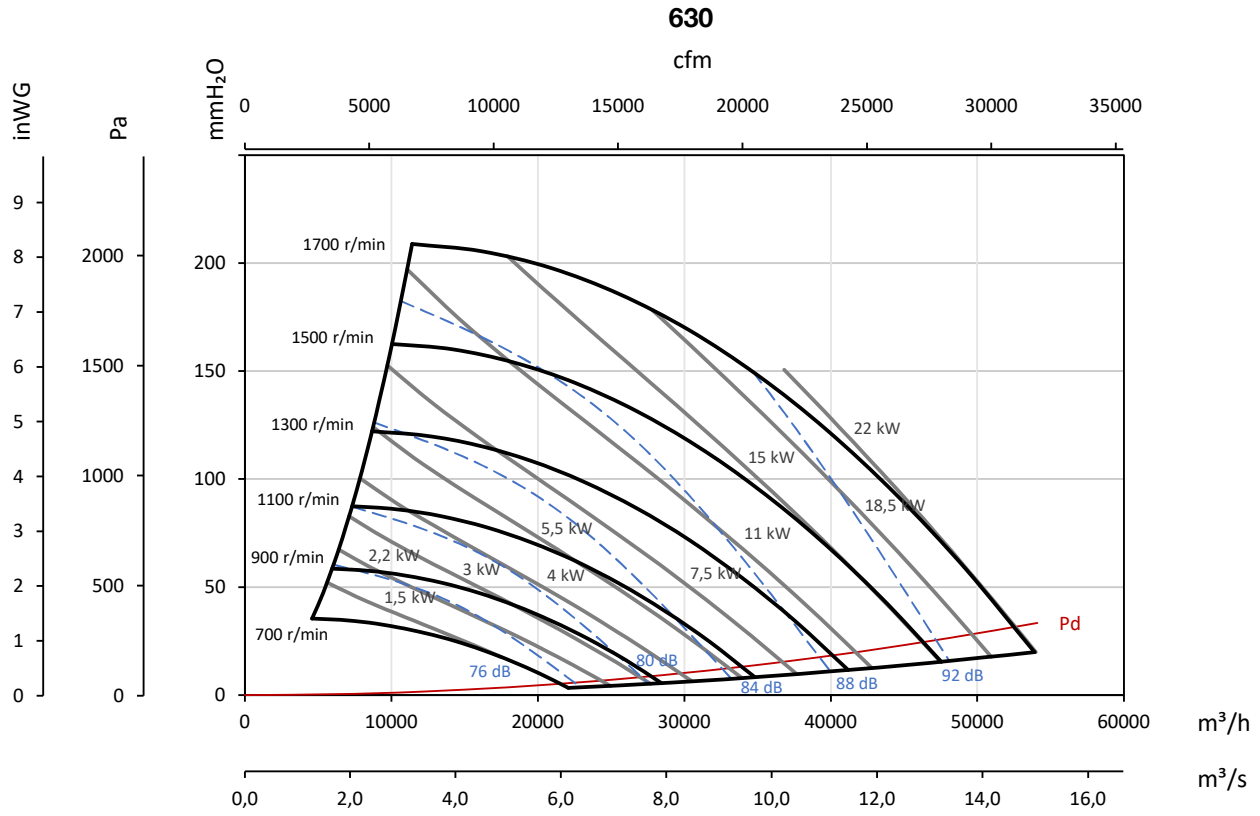


Characteristic curves

Q= Flow rate in m³/h, m³/s and cfm

Pe= Static pressure in mm H₂O, Pa and inWG

The noise level values are pressures in dB(A) measured at a distance of 3 metres in a free field.

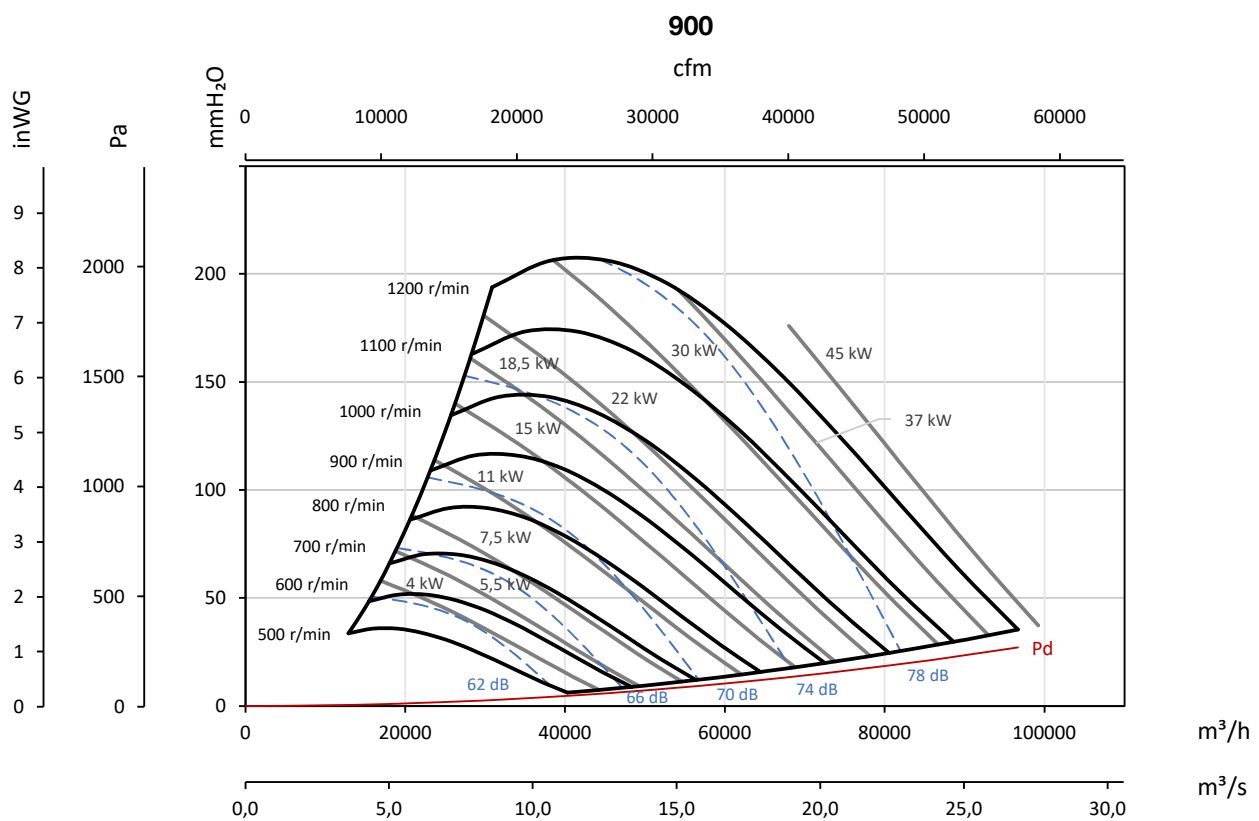
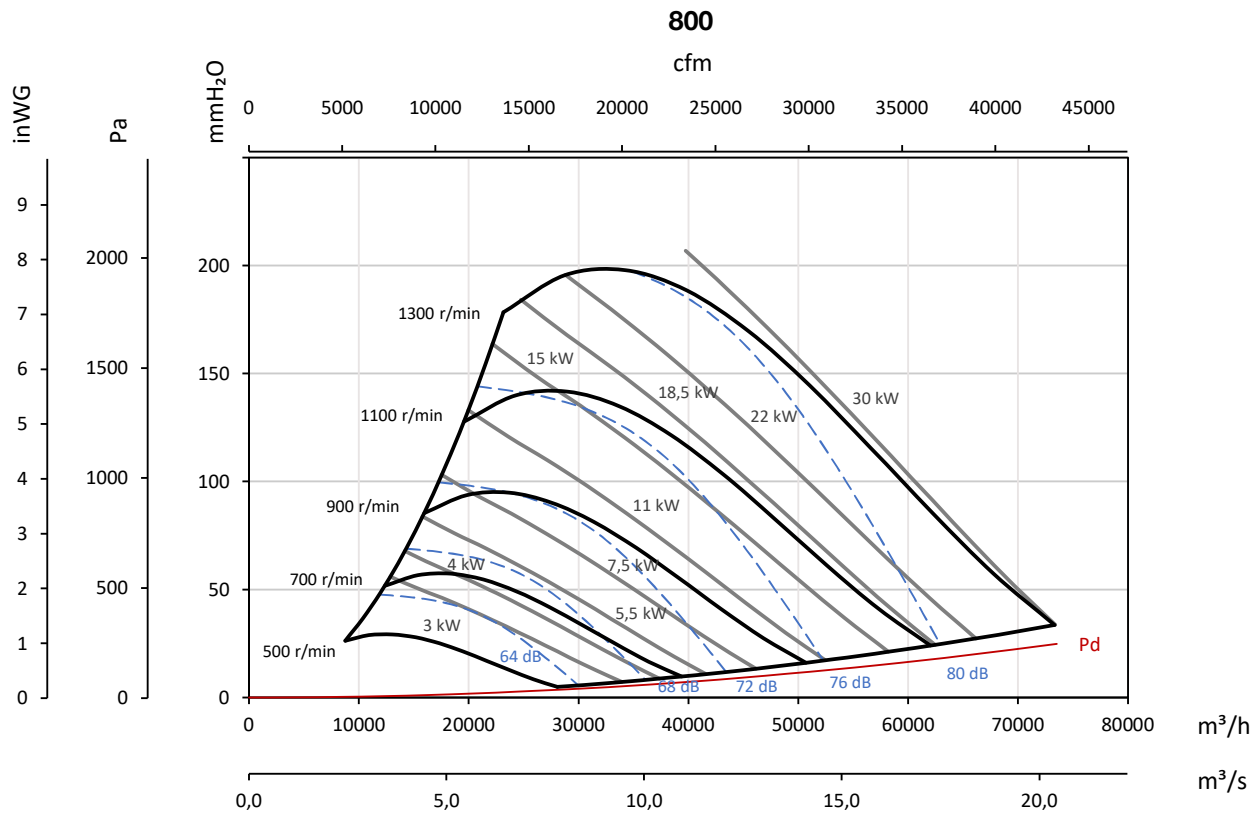


Characteristic curves

Q= Flow rate in m³/h, m³/s and cfm

Pe= Static pressure in mm H₂O, Pa and inWG

The noise level values are pressures in dB(A) measured at a distance of 3 metres in a free field.

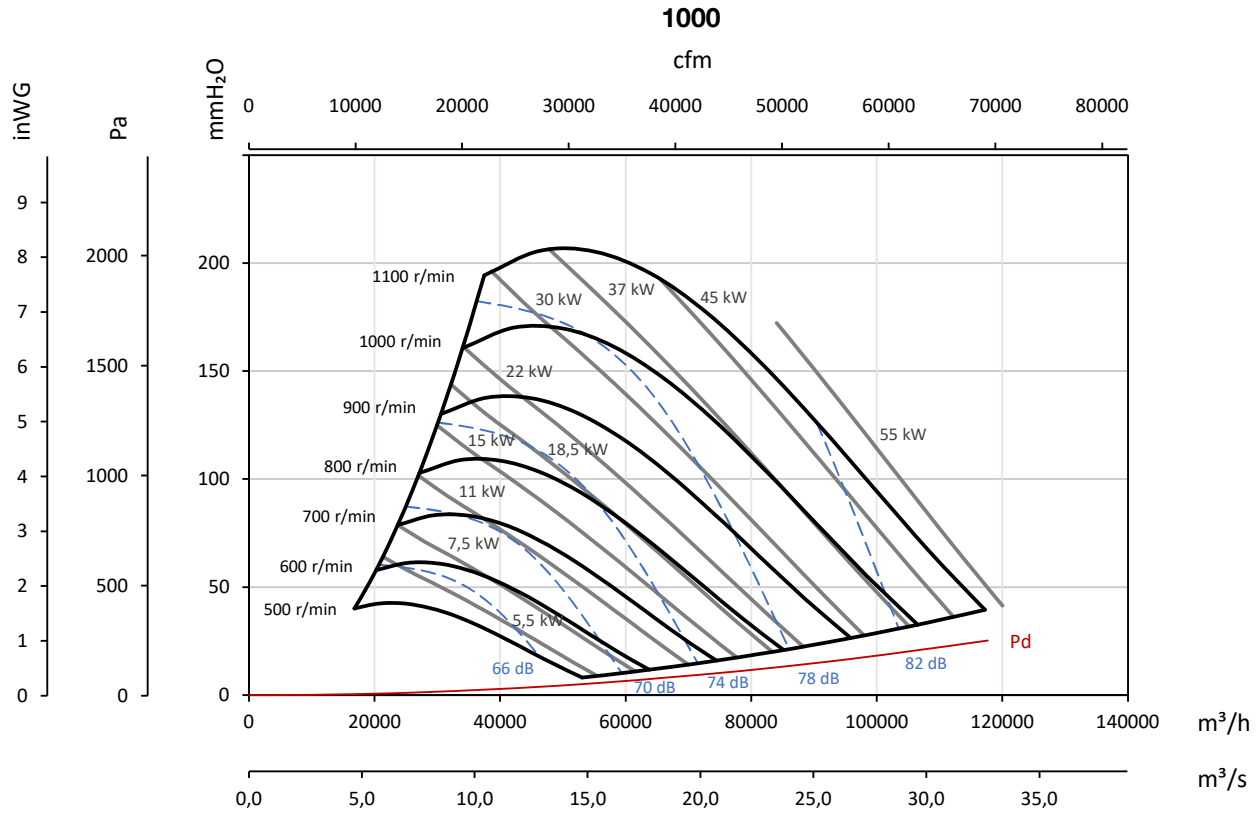


Characteristic curves

Q= Flow rate in m³/h, m³/s and cfm

Pe= Static pressure in mm H₂O, Pa and inwg

The noise level values are pressures in dB(A) measured at a distance of 3 metres in a free field.



Accessories



INT



VSD3/A-RFT
- VSD1/A-RFM



AET