

CBXC



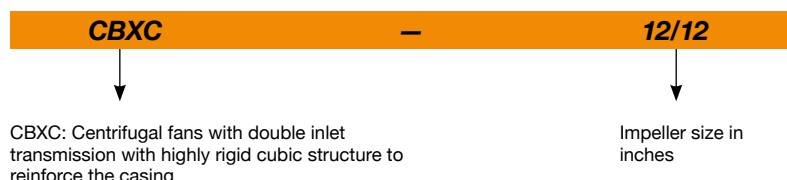
Centrifugal fans with double inlet transmission with highly rigid cubic structure to reinforce the casing



- Fan:
- Galvanised steel sheet casing.
 - Forward curved impeller in galvanised sheet steel.
 - Bearings supported with rubber dampers to avoid vibrations.
 - Free shaft with permanently greased ball bearings on both sides.
 - Temperature of the air to be carried: -25 °C to +85 °C.

- Finish:
- Galvanised steel sheet.

Order code



Technical characteristics

Model	Max. speed	Installed power max.	Maximum flow rate	Air temperature (°C)		Approx. weight (Kg)
	(r/min)			(kW)	(m³/h)	
CBXC-7/7	2500	1.1	3870	-25	+85	6
CBXC-9/9	2100	1.5	5830	-25	+85	12
CBXC-10/10	1700	1.5	6650	-25	+85	14
CBXC-12/12	1400	2.2	9310	-25	+85	19
CBXC-15/15	1100	3.0	13880	-25	+85	28
CBXC-18/18	900	3.0	19300	-25	+85	39

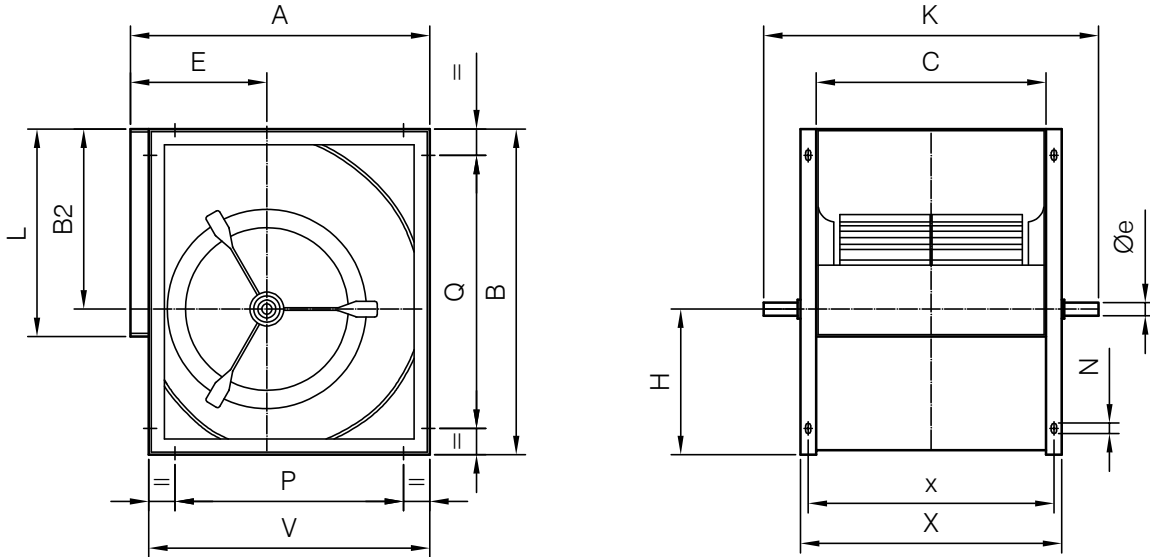


Erp. (Energy Related Products)

Information on Directive 2009/125/EC can be downloaded from the SODECA website or the QuickFan selector programme.

Dimensions mm

Standard supply: RD 90



	A	B	B2	C	E	øe	H	K	L	N	P	Q	V	X	x
CBXC-7/7	322	342	189	360	152	20	153	230	208	9x17	148	175	292	290	262
CBXC-9/9	388	402	218	430	183	20	184	300	263	9x17	214	214	358	360	332
CBXC-10/10	428	450	246	470	202	20	204	326	292	9x17	254	254	398	386	358
CBXC-12/12	498	532	290	560	230	25	242	387	345	9x17	324	324	468	447	419
CBXC-15/15	583	632	348	650	265	25	284	473	404	9x17	406	406	553	533	505
CBXC-18/18	694	756	415	750	323	25	341	540	482	9x17	520	608	664	600	572

Accessories



INT



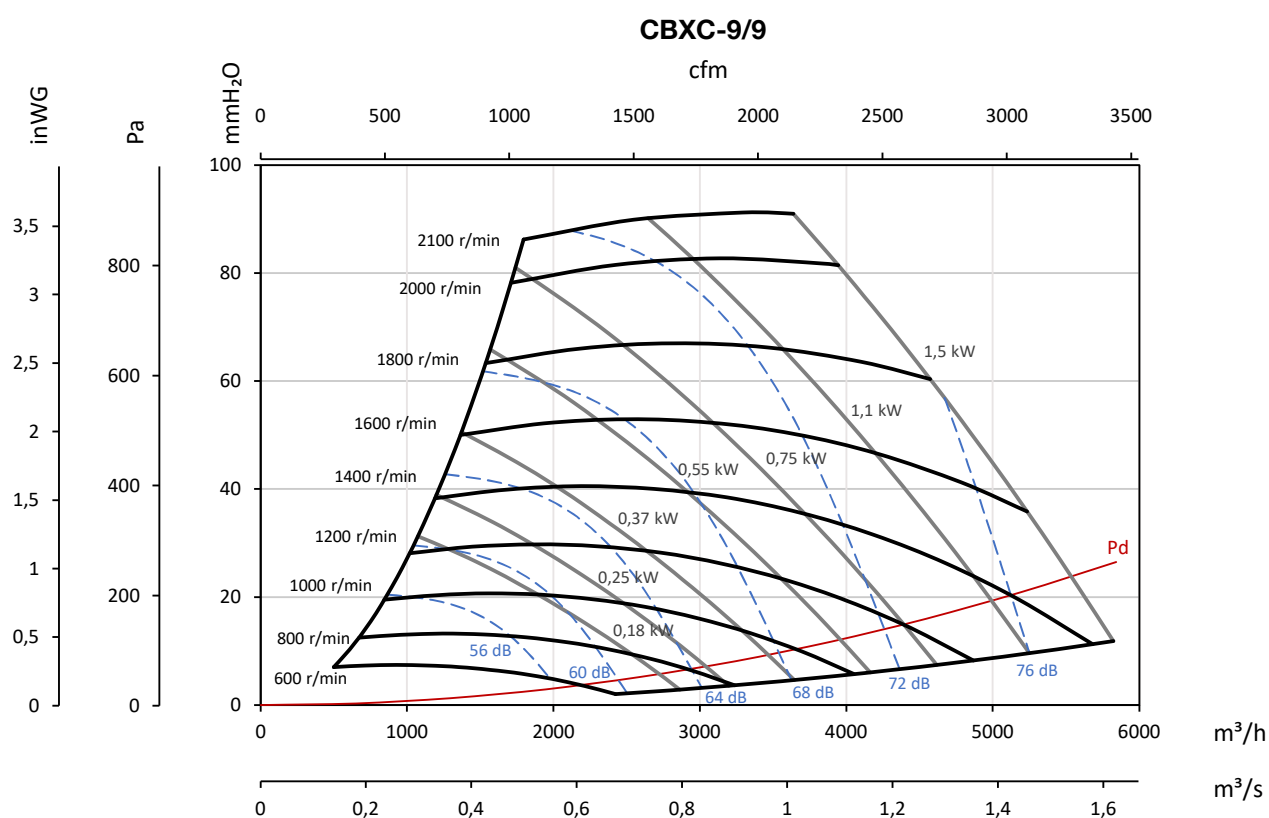
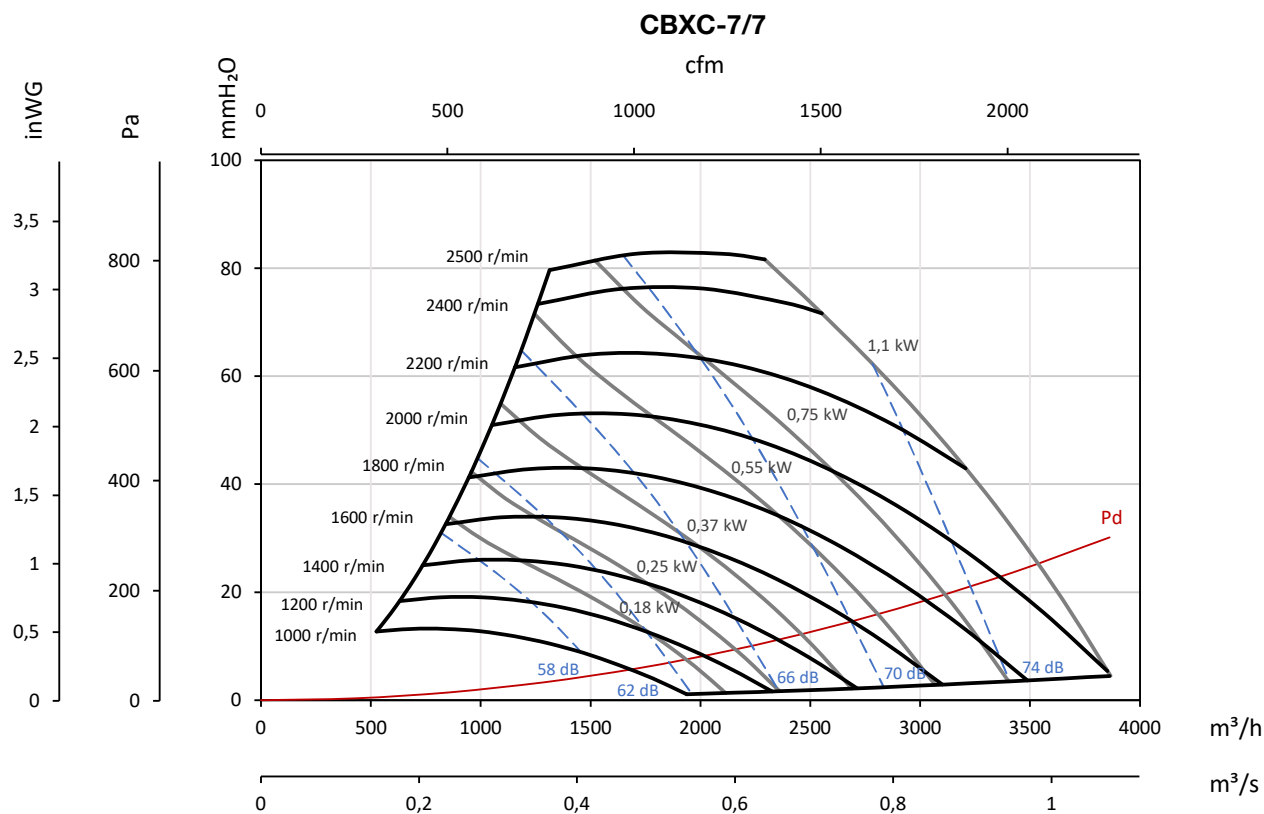
VSD3/A-RFT
- VSD1/A-RFM

Characteristic curves

Q= Flow rate in m³/h, m³/s and cfm

Pe= Static pressure in mm H₂O, Pa and inwg

The noise levels indicated in the curves are at inlet pressures measured in a free field at 3 m.

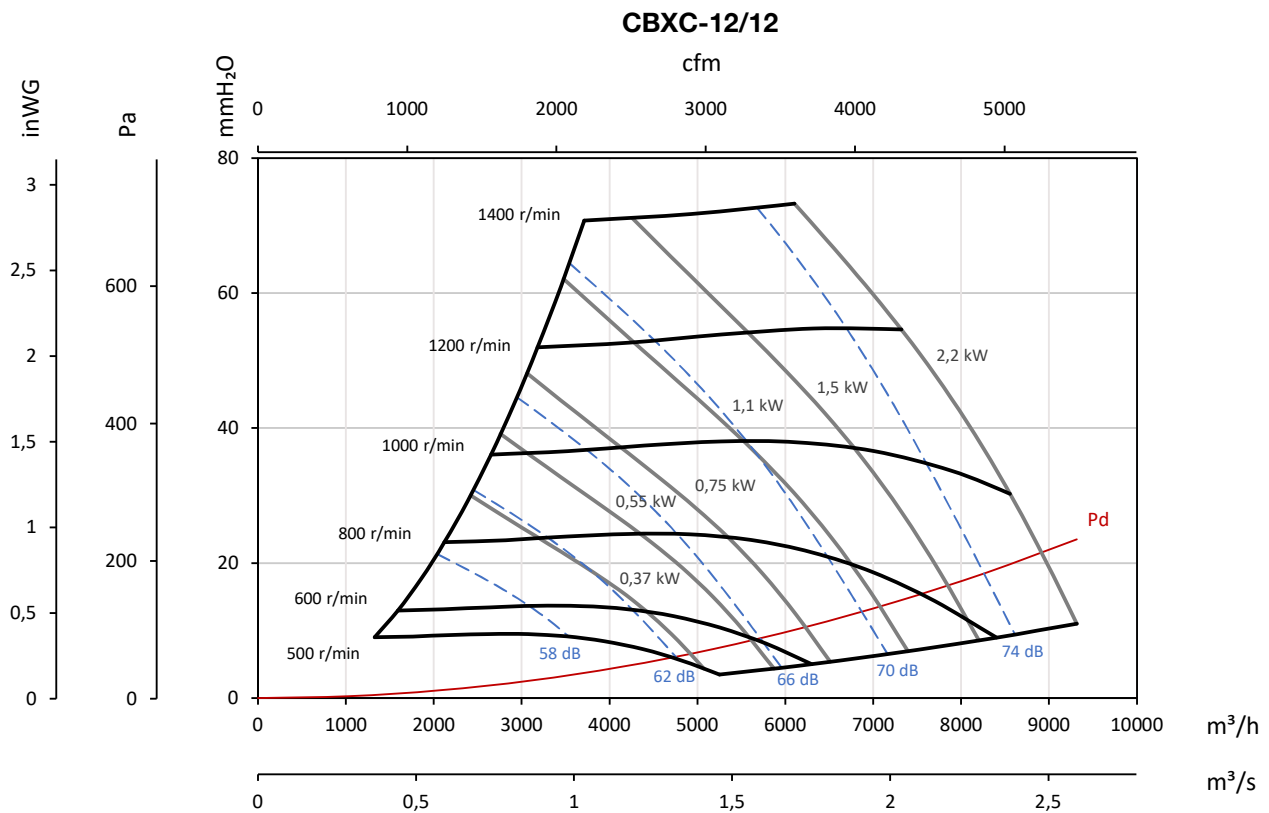
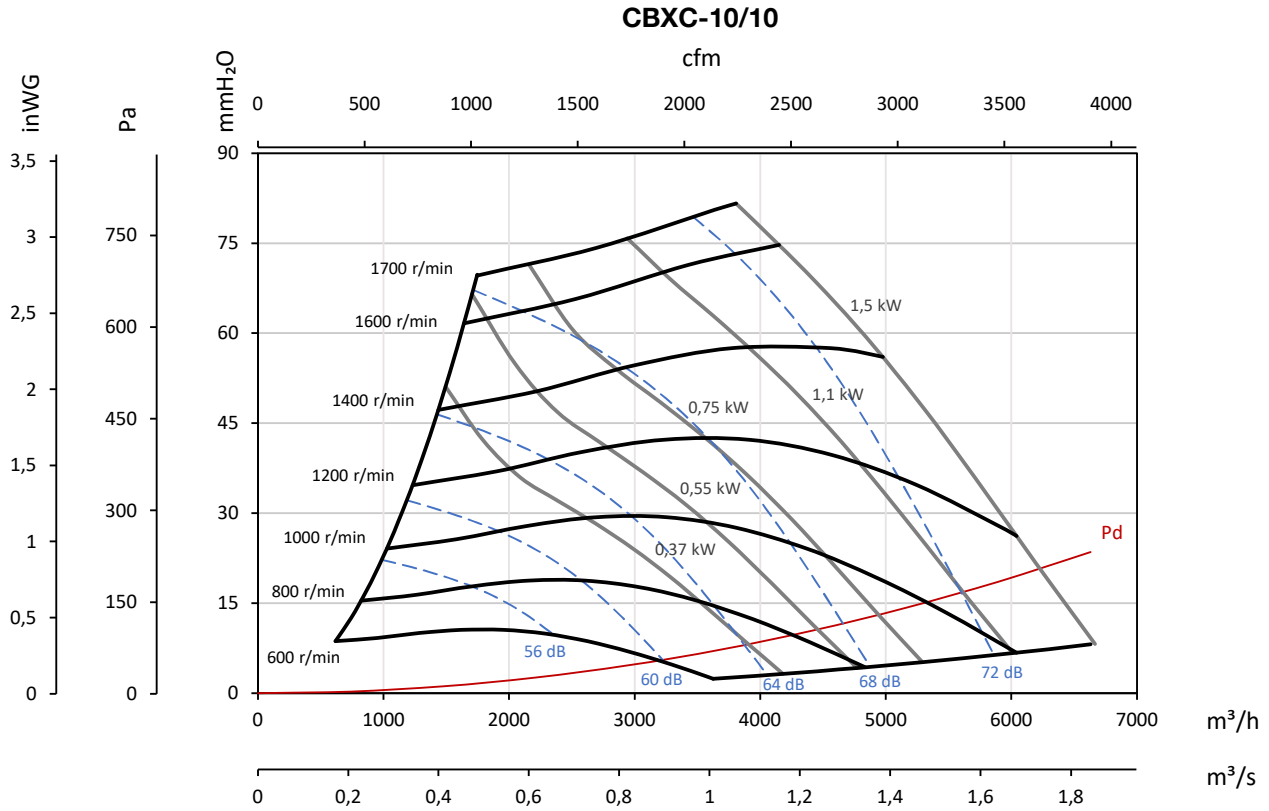


Characteristic curves

Q= Flow rate in m³/h, m³/s and cfm

Pe= Static pressure in mm H₂O, Pa and inwg

The noise levels indicated in the curves are at inlet pressures measured in a free field at 3 m.



Characteristic curves

Q= Flow rate in m³/h, m³/s and cfm

Pe= Static pressure in mm H₂O, Pa and inwg

The noise levels indicated in the curves are at inlet pressures measured in a free field at 3 m.

